



**TENDER DOCUMENT**

**FOR**

**THE PURCHASE OF**

**(LAB FURNITURE FOR INCUBATION CENTRE)**

**NATIONAL INSTITUTE OF  
PHARMACEUTICAL EDUCATION AND  
RESEARCH, GUWAHATI**

**DEPARTMENT OF PHARMACEUTICALS  
MINISTRY OF CHEMICALS AND FERTILIZERS  
GOVERNMENT OF INDIA**

**Sila Village, Near Dr. Bhupen Hazarika Regional  
Govt. Film & Television Institute, Changsari,  
Kamrup (R), Assam-781101, India**

***Email: [purchase@niperguwahati.ac.in](mailto:purchase@niperguwahati.ac.in)***

**NATIONAL INSTITUTE OF PHARMACEUTICAL EDUCATION  
AND RESEARCH  
(Ministry of Chemicals and Fertilizers, Government of India)**

**General Terms and Conditions applicable  
for Global Tender Enquiry**

1. All the prospective bidders, before preparing the tender and submitting the same must go through the contents of entire tender document carefully and note the same for compliance. Any deviation or non-compliance of the information/instructions, provided in the tender document may result in treating the tender as non-responsive.
2. The bidders who are submitting bids on behalf of their principals/manufacturers must produce documentary evidences like authorization letter given by their principals, copy of the agreement, partnership deed, memorandum of understanding (MoU) etc. Bids submitted by other than the manufacturers without documentary evidence of their linkage with manufacturer may be liable for rejection.
3. Quote should be made in two parts: Technical bid and financial bid separately in sealed envelopes.
  - Technical Bid should contain compliance statement of specifications and other important terms like warranty, after sales service facilities, Time required for attending Complaints/Downtime period, Payment terms, Points related with confirmation of credentials of supplier, acceptance for conditions like penalty, Committed delivery period, etc.
  - Quotes should have a minimum validity of 90 days
  - Financial bids for the product whose technical bid is not acceptable will not be opened. Any quote with the financial bid included in the technical bid is liable for rejection.
  - The sealed envelopes with the quotes should be super-scribed with the Inquiry number and whether it is a technical or financial bid.
  - Item wise picture of the items, whenever possible, should be included with the technical bid.
  - The delivery period should be specifically stated.
  - Quotes should be made FOR delivery to NIPER-Guwahati, Changsari Campus, Assam.
  - Maximum educational discounts should be provided.
  - Vender should have prior experience for the installation of such kind of furniture at Central Government Educational and R & D organisations in

North Eastern India and must have Executed at least 5 such projects, whose financial value is not less than the present tender value during the past three years.

- Venders should clearly mention about the material and (make Indigenous/Imported).
- Actual numbers of the components may be increased or decreased, payment will be made on the basis of actual numbers on prorated basis.
- The service centre particulars like Address, no of service personal available and their expertise in attending the service calls etc. may be indicated
- Installation: the price should be inclusive of full installation on site with full functionality demonstration.
- Installation within 15 days.
- All envelopes should be marked with enquiry number.
- All quotes should be in Indian Rupees (INR).
- Confirmation of all the above points should be given in the compliance report.

4. **Warranty:** This institute as a matter of policy would like to have three years comprehensive warranty. While offering three years comprehensive warranty, the suppliers must essentially indicate the breakup cost implications for second year and third year separately.

The payment towards second year and third year warranty will be paid only after successful completion of warranty obligations at the end of second year and third year respectively. **This is an essential condition for comparing the cost implications of item offered with other bids.**

The bidders are expected to supply brand new items. In cases where items are procured from third party as an accessory to the main unit the warranty obligation should get extended to this type of components also. In other words, the bidder/supplier will be directly responsible for fulfilling warranty obligations of entire supply.

The list of consumable items which are not covered under warranty conditions may please be indicated separately for the information of the institute.

5. The bidders should provide item wise technical compliance/deviation statement. If the bidder is unable to show the compliance of specified points in the tender/compliance statement either in the brochure or technical data sheet or instruction manuals, the same compliance statement will not be considered as authentic. Likewise a separate compliance report for warranty, payment terms, readiness to provide performance guarantee, after sales service details, their credentials to be indicated in the compliance report by providing appropriate supporting documents. . The above information should be provided in the technical bid.

6. The bidders are expected to quote free delivery at NIPER-Guwahati premises price which includes components like packing, freight, forwarding, and delivering the same in good condition at NIPER-Guwahati premises. The bids which do not confirm to the above condition are liable for rejection. The contractual obligations are treated as completed only when all the ordered items are handed over to the institute in ready to use condition.
7. To establish the credentials of the bidder, documents like information of installations they have with prestigious government educational/R&D institutes and reputed nationally known private institutes in India and North east region in particular with contact numbers reference numbers of purchase orders, appreciation letters etc. need to be provided along with Technical bid.
8. Institute would like to have Brand new items and in case the item supplied requires repairs/rectifications at the time of installation, the same will not be accepted and supplier must replace the item with a new one.
9. **Payment Terms:** As a matter of policy being a Government institution no advance payments can be made to suppliers. The following payment terms may please be noted:

80% payment after receipt and satisfactory installation, demonstration and acceptance by user department. Balance 20% payment after watching performance for 30 days and after receiving performance bank guarantee to cover warranty obligations.
10. **Delivery:** As agreed by the institute and supplier, any delay in delivery of items beyond accepted date may attract penalty/liquidated damages as per tender enquiry/purchase orders. The ordered item needs to be delivered and installed at our new campus at Chagnsari as per the address given below.

**NIPER Guwahati**

Sila village, Changsari,

Near Dr. Bhupen Hazarika Regional Govt. Film & Television Institute

P.O. Changsari,

Pin 781101, District Kamrup (R), Assam

11. We expect the bidders to be sincere and honest in providing the information related with procurement to ensure best satisfaction to the purchaser.
12. The prospective bidders in their own interest to visit our New building premises to have clear understanding of our requirement.

13. All the bids are to be submitted in two bid system i.e. technical and commercial bids separately in different sealed covers. The EMD amount should be kept in the technical bid cover to avoid its disqualification.

The suppliers are expected to use same proforma for technical and commercial bids. In the technical bid an indication need to be given by indicating xxxxxx at the place of quoted value which can be seen in corresponding commercial bid when the same is opened. This will help institute to know that the rate is indicated for the same in the commercial bid.

14. A. The date and time of pre bid conference: 6<sup>th</sup> March, 2020 at 11:00 am.  
B. Incorporation of agreed changes/amendments if any in the website: 6<sup>th</sup> March, 2020 by 5:00 pm.  
C. Last date for receiving sealed tenders containing technical and commercial bids: 12:00 pm on 20<sup>th</sup> March, 2020.  
D. Opening of bids (technical only): 20<sup>th</sup> March, 2020 at 3.00 pm  
E. Date and time for opening commercial bids of shortlisted suppliers will be informed separately.
  15. All the correspondence related with the procurement should be addressed to Director, NIPER-Guwahati who is final deciding authority and whose decisions are final.
  16. Director, NIPER-Guwahati reserves the right to relax any of the conditions in exceptional cases, in the best interest of NIPER-Guwahati. Director further reserves the right to withdraw the tender in whole or part at any stage without assigning any reason.
  17. Depending on the decision of the Director, one of the following method will be adopted for placing the order:
    - a. Procurement decision based on overall lowest quoting rate.
    - b. Lowest quoting rate for individual items may be considered in case decision on overall lowest system is not practicable. In such events order may get split among more than one supplier.
    - c. Ensure keeping copy of commercial bid erasing the rates quoted in the technical bid to get a clear idea of items for which quotation has been submitted.
  18. All prospective bidders should submit hard copy of tenders in sealed covers with technical bid and commercial bid in different sealed covers. No online/email tenders will be accepted.
-

## INVITATION FOR BIDS / NIT

01. Director, NIPER Guwahati, C/o NETES Institute of Technology & Science, NH-37, Shantipur, Parli Part, Mirza, Assam - 781125, India invites sealed bids from manufacturers, their distributors and Indian Agent of Foreign principals, if any, for purchase of items listed below.

Sl. No.	Tender No.	Description of items	Quantity	Single/ Double bid	Bid Security (EMD)  (in Indian Rupees)
01	NIPER- G/99/FUR/Incubation Centre/2019-20 dated 28/02/2020	Furniture	1 unit(s)	Double	Rs. 3,00,000.00

02. Interested Bidders may obtain further information from the Stores & Purchase, NIPER Guwahati, Silla Village, Near Dr. Bupen Hazarika Regional Govt. Film & Television Institute, Changsari, Kamrup (R), Assam-781101, India.
03. Each complete set of bidding document may be downloaded by any interested bidder from the NIPER Guwahati website <http://niperguwahati.ac.in> free of cost. The bids must reach this office on or before 20<sup>th</sup> March, 2020 up to 12:00 pm and shall be opened on the same day at 3:00pm.
04. A Pre-bid Conference will be held on 6<sup>th</sup> March at 11:00 hours at NIPER Guwahati. All prospective bidders are requested to kindly submit their queries to the email address [purchase@niperguwahati.ac.in](mailto:purchase@niperguwahati.ac.in) so as to reach the Stores & Purchase latest by 3<sup>rd</sup> March, 2020 up to 11:00 am.
05. All bids must be accompanied by a bid security as specified above and must be delivered to the above office at the date and time indicated above. Bids will be opened in the presence of Bidders' authorized representatives who choose to attend on the specified date and time. In the event of the date specified for bid receipt and opening being declared as a closed holiday for purchaser's office, the due date for submission of bids and opening of bids will be the following working day at the appointed time.
06. The Director, NIPER-Guwahati reserves the right to accept any or all tenders either in part or in full or to split the order without assigning any reasons there for.

# **INDEX**

<b>CHAPTER</b>	<b>CONTENT</b>
<b>1.</b>	<b>Instructions to Bidders</b>
<b>2.</b>	<b>Conditions of Contract</b>
<b>3.</b>	<b>Schedule of Requirement</b>
<b>4.</b>	<b>Specifications and Allied Technical Details</b>
<b>5.</b>	<b>Price Schedule Forms</b>
<b>6.</b>	<b>Qualification Requirements</b>
<b>7.</b>	<b>Contract Form</b>
<b>8.</b>	<b>Other Forms to be enclosed with Technical Bid</b>

# **CHAPTER 1**

## **INSTRUCTIONS TO BIDDERS**

### **Table of Contents**

<b><u>Sl. No.</u></b>	<b><u>Contents</u></b>
1.1	Eligible Bidders
1.2	Cost of Bidding
1.3	Fraud and Corruption
1.4	Cost of Bidding Documents
1.5	Content of Bidding Documents
1.6	Clarification of bidding documents
1.7	Amendment of Bidding Documents
1.8	Language of Bid
1.9	Documents Comprising the Bid
1.10	Bid form and price schedule
1.11	Bid Prices
1.12	Bid Currencies
1.13	Documents Establishing Bidder's Eligibility and Qualifications
1.14	Documents Establishing Goods' Eligibility And Conformity to Bidding Documents
1.15	Bid Security
1.16	Period of Validity of Bids
1.17	Format and Signing of Bid
1.18	Submission, Sealing and Marking of Bids
1.19	Deadline for Submission of Bids
1.20	Late Bids
1.21	Withdrawal, substitution and Modification of Bids



- 1.22 Opening of Bids by the Purchaser
- 1.23 Confidentiality
- 1.24 Clarification of Bids
- 1.25 Preliminary Examination
- 1.26 Responsiveness of Bids
- 1.27 Non-Conformity, Error and Omission
- 1.28 Examination of Terms & Conditions, Technical Evaluation
- 1.29 Conversion to Single Currency
- 1.30 Evaluation and Comparison of bids
- 1.31 Comparison of Bids
- 1.32 Contacting the Purchaser
- 1.33 Post qualification
- 1.34 Negotiations
- 1.35 Award Criteria
- 1.36 Purchaser's right to vary Quantities at Time of Award
- 1.37 Purchaser's right to accept any Bid and to reject any or all  
Bids
- 1.38 Notification of Award
- 1.39 Signing of Contract
- 1.40 Order Acceptance
- 1.41 Performance Security
- 1.42 Pre-bid Conference

## **A. Introduction**

### **1.1. Eligible Bidders**

1.1.1 This Invitation for Bids is open to all suppliers.

1.1.2 Bidders should not be associated, or have been associated in the past, directly or indirectly, with a firm or any of its affiliates which have been engaged by the Purchaser to provide consulting services for the preparation of the design, specifications, and other documents to be used for the procurement of the goods to be purchased under this Invitation of Bids.

1.1.3 Bidders who have been blacklisted / suspended by the purchaser are ineligible to quote. The quotes of such firms shall be summarily rejected.

### **1.2 Cost of Bidding**

1.2.1 The Bidder shall bear all costs associated with the preparation and submission of its bid, and "the Purchaser", will in no case be responsible or liable for these costs, regardless of the conduct or outcome of the bidding process.

### **1.3 Fraud and corruption**

1.3.1 The purchaser requires that the bidders, suppliers and contractors observe the highest standard of ethics during the procurement and execution of such contracts. In pursuit of this policy, the following are defined:

"Corrupt practice" means the offering, giving, receiving, or soliciting, directly or indirectly, of anything of value to influence the action of a public official in the procurement process or in contract execution;

"Fraudulent practice" means a misrepresentation or omission of facts in order to influence a procurement process or the execution of a contract;

"Collusive practice" means a scheme or arrangement between two or more bidders, with or without the knowledge of the purchaser, designed to establish bid prices at artificial, non-competitive levels; and

"Coercive practice" means harming or threatening to harm, directly or indirectly, persons or their property to influence their participation in the procurement process or affect the execution of a contract.

1.3.2 The purchaser will reject a proposal for award if it determines that the Bidder recommended for award has, directly or through an agent, engaged in corrupt, fraudulent, collusive or coercive practices in competing for the Contract in question.

## **B The Bidding Documents**

### **1.4 Cost of Bidding Documents**

- 1.4.1 Interested eligible bidders may purchase the bidding documents on payment of the cost of bidding documents as indicated in the invitation for bids/NIT or alternatively, the bidding documents can be downloaded from our Website as indicated in the Invitation for Bids/NIT free of cost.

### **1.5 Content of Bidding Documents**

- 1.5.1 The goods required, bidding procedures and contract terms are prescribed in the bidding documents which should be read in conjunction. The bidding documents, apart from the invitation for bids have been divided into 8 chapters as under:

- Chapter 1: Instructions to Bidder (ITB)
- Chapter 2: General Conditions of Contract (GCC) and Special Conditions of Contract (SCC)
- Chapter 3: Schedule of Requirements
- Chapter 4: Specifications and Allied Technical Details
- Chapter 5: Price Schedule Forms
- Chapter 6: Qualification requirements
- Chapter 7: Contract Form
- Chapter 8: Other Standard Forms comprising:
  - (a) Bidder Information Form
  - (b) Manufacturer's Authorization Form (MAF);
  - (c) Bid Security Form
  - (d) Performance Statement form
  - (e) Deviation Statement Form;
  - (f) Service Support details;
  - (g) Bid form
  - (h) Performance Security Form;
  - (i) Acceptance Certificate Form
  - (j) Integrity pact

1.5.2 The Bidder is expected to examine all instructions, forms, terms, and specifications in the bidding documents. Failure to furnish all information required by the bidding documents or submission of a bid not substantially responsive to the bidding documents in every respect will be at the Bidder's risk and may result in rejection of its bid.

## **1.6 Clarification of bidding documents**

1.6.1 A prospective Bidder requiring any clarification of the Bidding Documents shall contact the Purchaser in writing at the Purchaser's address specified in the Special Conditions of Contract (SCC), latest by the date specified in the Invitation for Bids / NIT which would be deliberated as per Clause 1.42.0 of Instructions to the Bidders. No request for clarification or query shall be normally entertained after the pre-bid conference. Should the Purchaser deem it necessary to amend the Bidding Documents as a result of a clarification, it shall do so following the procedure under Clause relating to amendment of Bidding Documents and Clause relating to Deadline for Submission of Bids. The clarifications and amendments issued would also be hosted on the website of the Purchaser for the benefit of the other prospective bidders.

## **1.7 Amendment of Bidding Documents**

1.7.1 At any time prior to the deadline for submission of bids, the Purchaser may, for any reason, whether at its own initiative or in response to a clarification requested by a prospective bidder, modify the bidding documents by amendment as enumerated in Clause 1.42.0 of Instructions to the Bidders. The same would also be hosted on the website of the Purchaser and all prospective bidders are expected to surf the website before submitting their bids to take cognizance of the amendments.

1.7.2 In order to allow prospective bidders' reasonable time in which to take the amendment into account in preparing their bids, the Purchaser, at its discretion, may extend the deadline for the submission of bids and host the changes on the website of the Purchaser.

## **C. PREPARATION OF BIDS**

### **1.8. Language of Bid**

1.8.1 The bid prepared by the Bidder, as well as all correspondence and documents relating to the bid exchanged by the Bidder and the Purchaser, shall be written in either English or Hindi language only.

1.8.2 The Supplier shall bear all costs of translation, if any, to the English language and bear all risks of the accuracy of such translation, for documents provided by the Supplier.

### **1.9. Documents Comprising the Bid**

1.9.1 The bid prepared by the Bidder shall include:

- (a) Bidder Information Form; (Technical Bid);
- (b) Bid security as specified in the Invitation to Bids; (Technical Bid);
- (c) Service support details form; (Technical Bid);
- (d) Deviation Statement Form; (Technical Bid);
- (e) Performance Statement Form; (Technical Bid);
- (f) Manufacturer's Authorization Form; (Technical Bid);
- (g) Documentary evidence establishing that the bidder is eligible to bid and is qualified to perform the contract if its bid is accepted; (Technical Bid);
- (h) Bid form; (Price Bid only);
- (i) Documents establishing goods eligibility and conformity to bidding documents; (Technical Bid);
- (j) Applicable Price Schedule Form; (Price Bid only);
- (k) Schedule of requirements. (Technical Bid);

### **1.10. Bid form and price schedule**

1.10.1 The bidder shall complete the Bid Form and the appropriate price schedule form furnished in the bidding documents. These forms must be completed without any alterations to its format and no substitutes shall be accepted. All blank spaces shall be filled in with the information requested. The Bid Form and the appropriate Price Schedule form shall be submitted in accordance with Clause 1.18.3 of the bidding documents.

## **1.11. Bid Prices**

1.11.1 The Bidder shall indicate on the appropriate price schedule form, the unit prices and total bid prices of the goods it proposes to supply under the contract.

1.11.2 Prices indicated on the price-schedule form shall be entered separately in the following manner:

### **(a) For Goods manufactured within India**

- (i) The price of the goods quoted Ex -works including taxes already paid.
- (ii) GST and other taxes like excise duty etc. which will be payable on the goods if the contract is awarded.
- (iii) The charges for inland transportation, insurance and other local services required for delivering the goods at the desired destination as specified in the price schedule form.
- (iv) The installation, commissioning, cost of spares if any, cost of optional items if any and training charges including any incidental services, if any.

### **(b) For Goods manufactured abroad**

- (i) The price of the goods, quoted on FCA (named place of delivery abroad) or FOB (named port of shipment), as specified in the price schedule form.
- (ii) The charges for insurance and transportation of the goods to the port/place of destination both by Air and Ocean.
- (iii) The agency commission charges, if any.
- (iv) The installation, commissioning, cost of spares if any, cost of optional items if any and training charges including any incidental services, if any.

1.11.3 The terms FOB, FCA, CIF, CIP etc shall be governed by the rules prescribed in the current edition of the Incoterms published by the International Chambers of Commerce, Paris.

1.11.4 **Where there is no mention of packing, forwarding, freight, insurance changes, taxes etc. such offer shall be rejected as incomplete.**

1.11.5 The price quoted shall remain fixed during the contract period and shall not vary on any account

- 1.11.6 All lots and items must be listed and priced separately in the Price Schedules. If a Price Schedule shows items listed but not priced, their prices shall be assumed to be included in the prices of other items. Lots or items not listed in the Price Schedule shall be assumed to be not included in the bid.
- 1.11.7 This Institute is exempted from payment of Customs Duty and will provide DSIR duty exemption certificate.

**Note: All payments due under the contract shall be paid after deduction of statutory levies at source (like ESIC, IT, etc.), wherever applicable.**

### **1.12. Bid Currencies**

- 1.12.1 Prices shall be quoted in Indian Rupees for offers received for supply within India and in freely convertible foreign currency in case of offers received for supply from foreign countries.

### **1.13. Documents Establishing Bidder's Eligibility and qualifications**

- 1.13.1 The bidder shall furnish, as part of its bid, documents establishing the bidders' eligibility to bid and its qualification to perform the contract if its bid is accepted.
- 1.13.2 The documentary evidence of the bidders qualification to perform the contract if the bid is accepted shall establish to the purchasers satisfaction that;

- (a) The bidder meets the qualification criteria listed in bidding documents, if any.
- (b) Bidder who doesn't manufacture the goods it offers to supply shall submit Manufacturers' Authorization Form (MAF) using the form specified in the bidding document to demonstrate that it has been duly authorized by the manufacturer of the goods to quote and/or supply the goods. In addition the agreement between original manufacturer and authorized Indian agency must also be provided.

- (c) In case a bidder not doing business within India, it shall furnish the certificate to the effect that the bidder is or will be represented by an agent in India equipped and able to carry out the supply, maintenance, repair obligations etc. during the warranty and post warranty period or ensure a mechanism at place for carrying out the supply, maintenance, repair obligations etc. during the warranty and post-warranty period.

- 1.13.3 **Conditional tenders shall not be accepted.**

### **1.14. Documents Establishing Goods' Eligibility and Conformity to Bidding Documents**

- 1.14.1 To establish the goods' eligibility, the documentary evidence of the goods and services eligibility shall consist of a statement on the country of origin of the goods and services offered which shall be confirmed by a certificate of origin at the time of shipment.
- 1.14.2 To establish the conformity of the goods and services to the specifications and schedule of requirements of the bidding document, the documentary evidence of conformity of the goods and services to the bidding documents may be in the form of literature, drawings and data, and shall consist of :
- (a) A detailed description of the essential technical and performance characteristics of the goods;
  - (b) A list giving full particulars, including available sources and current prices, of spare parts, special tools, etc., necessary for the proper and continuing functioning of the goods during the warranty period following commencement of the use of the goods by the Purchaser in the Priced- bid ; and
  - (c) An item-by-item commentary on the Purchaser's Technical Specifications demonstrating substantial responsiveness of the goods and services to those specifications or a statement of deviations and exceptions to the provisions of the Technical Specifications.
- 1.14.3 For purposes of the commentary to be furnished pursuant to above, the Bidder shall note that standards for workmanship, material and equipment, designated by the Purchaser in its Technical Specifications are intended to be descriptive only and not restrictive. The Bidder may substitute these in its bid, provided that it demonstrates to the Purchaser's satisfaction that the substitutions ensure substantial equivalence to those designated in the Technical Specifications.

### **1.15. Bid Security**

- 1.15.1 The Bidder shall furnish, as part of its bid, a bid security (BS) for an amount as specified in the Invitation for Bids. In the case of foreign bidders, the BS shall be submitted either by the principal or by the Indian agent and in the case of indigenous bidders, the BS shall be submitted by the manufacturer or their specifically authorized dealer/bidder.
- 1.15.2 The bid security is required to protect the Purchaser against the risk of Bidder's conduct, which would warrant the security's forfeiture.
- 1.15.3 The bid security shall be in Indian Rupees for offers received for supply within India and denominated in the currency of the bid or in any freely convertible foreign exchange in the case of offers received for supplies from foreign countries in equivalent Indian Rupees. The bid security shall be in one of the following forms at the bidders' option:
- (a) A bank guarantee issued by a Nationalized/Scheduled bank/Foreign Bank operating in India in the form provided in the bidding documents



and valid for 45 days beyond the validity of the bid. In case a bidder desires to submit a BG issued from a foreign bank, then the same should be confirmed by a Nationalised/Scheduled Indian bank; or

- (b) Fixed Deposit receipt pledged in favour of the Lab. /Institute.
- (c) A Banker's cheque or demand draft in favour of the purchaser issued by any Nationalised/Scheduled Indian bank.

1.15.4 The bid security shall be payable promptly upon written demand by the purchaser in case the conditions listed in the ITB clause 1.15.11 are invoked.

1.15.5 The bid security should be submitted in its original form. Copies shall not be accepted.

1.15.6 While Bid security (EMD) is a requirement, the Director of the Lab. / Instt. may grant exemption of Bid security to some specific parties having sound credentials and are of national/international repute.

1.15.7 The bid security of unsuccessful bidder will be discharged /returned as promptly as possible positively within a period of 30 days after the expiration of the period of bid validity or placement of order whichever is later, without any interest.

1.15.8 The successful Bidder's bid security will be discharged upon the Bidder furnishing the performance security, without any interest. Alternatively, the BS could also be adjusted against Performance Security (PS), if it is paid through Demand Draft /Bankers Cheque.

1.15.9 The firms registered with, NSIC, are exempted from payment of BS provided such registration includes the item they are offering which are manufactured by them and not for selling products manufactured by other companies.

1.15.10 In case a bidder intimates at the time of tender opening in writing that the bid security is kept inside the financial bid, then in such cases, the technical bid of the party would be accepted provisionally till opening of the financial bids with which the party has attached the bid security.

1.15.11 The bid security may be forfeited:

- (a) If a Bidder withdraws or amends or modifies or impairs or derogates its bid during the period of bid validity specified by the Bidder on the Bid Form; or
- (b) In case of a successful Bidder, if the Bidder fails to furnish order acceptance within 15 days of the order or fails to sign the contract and/or fails to furnish Performance Security within 21 days from the date of contract/ order.

**1.15.12 Whenever the bidder chooses to submit the Bid Security in the form of Bank Guarantee, then he should advise the banker issuing the Bank Guarantee to immediately send by Registered Post (A.D.) an unstamped duplicate copy of the Guarantee directly to the Purchaser with a covering letter to compare with the original BG for the correctness, genuineness, etc.**

**1.16. Period of Validity of Bids**

- 1.16.1 Bids shall remain valid for minimum of 90 days after the date of bid opening prescribed by the Purchaser. A bid valid for a shorter period shall be rejected by the Purchaser as non-responsive.
- 1.16.2 In exceptional circumstances, the Purchaser may solicit the Bidder's consent to an extension of the period of validity. The request and the responses thereto shall be made in writing (or by cable, telex, fax or e-mail). The bid security provided shall also be suitably extended. A Bidder may refuse the request without forfeiting its bid security. A Bidder granting the request will not be required nor permitted to modify its bid.
- 1.16.3 Bid evaluation will be based on the bid prices without taking into consideration the above corrections.

**1.17. Format and Signing of Bid**

- 1.17.1 The bids may be submitted in single envelop or in two parts as specified in the Invitation for Bids.
- 1.17.2 In case the bids are invited on single envelop basis, then the Bidder shall prepare two copies of the bid, clearly marking each "Original Bid" and "Copy Bid", as appropriate. In the event of any discrepancy between them, the original shall govern.
- 1.17.3 In case the bids are invited on two-bid system, the Bidder shall submit the bids in two separate parts. One part shall contain Technical bid comprising all documents listed under clause relating to Documents Comprising the Bid excepting bid form and price schedules. The other part shall contain the priced-bid comprising bid form and price schedules. The Bidder shall prepare two copies of the bid, clearly marking each "Original Bid" and "Copy Bid", as appropriate.
- 1.17.4 The original and all copies of the bid shall be typed or written in indelible ink and shall be signed by the Bidder or a person or persons duly authorized to bind the Bidder to the Contract. All pages of the bid, except for un-amended printed literature, shall be initialled by the person or persons signing the bid.
- 1.17.5 Any interlineations, erasures or overwriting shall be valid only if they are initialled by the persons or persons signing the bid.

## **D Submission and sealing of Bids**

### **1.18. Submission, Sealing and Marking of Bids**

- 1.18.1 The bidders may submit their duly sealed bids generally by post or by hand.
- 1.18.2 In the case of bids invited on single envelop basis, the Bidders shall seal the original and each copy of the bid in separate inner envelopes, duly marking the envelopes as "original" and "copy". The envelopes shall then be sealed in an outer envelope.
- 1.18.3 In the case of bids invited on two part basis, the Bidder shall seal the un-priced commercial and technical bid comprising the documents as listed in ITB 1.9.1 excepting for h& j and the priced bid in two separate envelopes duly marked as "Technical bid" and "priced bid". Both the envelopes shall then be sealed in one outer envelope.
- 1.18.4
- (a) The inner and outer envelopes shall be addressed to the Purchase OfficerStores & Purchase, National Institute of Pharmaceutical Education and Research, Guwahati, C/o NETES Institute of Technology & Science, NH-37, Shantipur, Parli Part, Mirza, Assam - 781125, India.
- (b) Bear the name and address of the bidder, Tender No., due date and a warning "Do not open before" to be completed with the time and date as specified in the invitation for bids.
- 1.18.5 If the outer envelope is not sealed and marked as required above, the Purchaser will assume no responsibility for the bid's misplacement or premature opening. In such cases, bids received in open condition within the due date and time will be accepted at the risk of the bidder if the same is presented to the Purchase Officer of Stores & Purchase before expiry of the due date and time of opening of the bids.
- 1.18.6 Firms submitting bids in a single envelope against the requirement of two-bid system would be considered for further evaluation at the risk & responsibility of the bidder. However, the opened priced bid would be sealed immediately by the Tender Opening Committee without disclosing the price.

### **1.19. Deadline for Submission of Bids**

- 1.19.1 Bids must be received by the Purchaser at the address specified at Clause 1.18.4 (a) not later than the time and date specified there in. In the event of the specified date for the submission of Bids being declared a holiday for the Purchaser, the Bids will be received up to the appointed time on the next working day.

1.19.2 The Purchaser may, at its discretion, extend the deadline for submission of bids by amending the bid documents in accordance with Clause relating to Amendment of Bidding Documents in which case all rights and obligations of the Purchaser and Bidders previously subject to the deadline will thereafter be subject to the deadline as extended.

**1.20. Late Bids**

1.20.1 Any bid received by the Purchaser after the deadline for submission of bids prescribed by the Purchaser will be rejected.

1.20.2 Such tenders shall be marked as late and not considered for further evaluation. They shall not be opened at all and be returned to the bidders in their original envelope without opening.

**1.21. Withdrawal, substitution and Modification of Bids.**

1.21.1 A Bidder may withdraw, substitute, or modify its Bid after it has been submitted by sending a written notice in accordance with ITB Clause 1.18 duly signed by an authorized representative, and shall include a copy of the authorization in accordance with ITB Sub-Clause 1.17.4 (except that no copies of the withdrawal notice are required). The corresponding substitution or modification of the bid must accompany the respective written notice. All notices must be:

(a) Submitted in accordance with ITB Clauses 1.17 and 1.18 (except that withdrawal notices do not require copies), and in addition, the respective envelopes shall be clearly marked “WITHDRAWAL,” “SUBSTITUTION,” or “MODIFICATION”; and

(b) Received by the Purchaser prior to the deadline prescribed for submission of bids, in accordance with ITB Clause 1.19.

1.21.2 Bids requested to be withdrawn in accordance with ITB Sub-Clause 1.21.1 shall be returned unopened to the Bidders. No bid may be withdrawn, substituted, or modified in the interval between the deadline for submission of bids and the expiration of the period of bid validity specified by the Bidder on the Bid Form or any extension thereof.

## **E. Opening and Evaluation of Bids**

**1.22 Opening of Bids by the Purchaser**

1.22.1 The Purchaser will open all bids one at a time in the presence of bidders' authorized representatives who choose to attend, as per the schedule given in invitation for bids. The Bidders' representatives who are present shall sign the quotation opening sheet evidencing their attendance. In the event of the specified date of Bid opening being declared a holiday for the Purchaser, the Bids shall be opened at the appointed time and location on the next working day. In two-part bidding, the financial bid shall be opened only after technical evaluation.

- 1.22.2 First, envelopes marked “WITHDRAWAL” shall be opened and read out and the envelope with the corresponding bid shall not be opened, but returned to the Bidder. No bid withdrawal shall be permitted unless the corresponding withdrawal notice contains a valid authorization to request the withdrawal and is read out at bid opening. Next, envelopes marked “SUBSTITUTION” shall be opened and read out and exchanged with the corresponding Bid being substituted, and the substituted Bid shall not be opened, but returned to the Bidder. No Bid substitution shall be permitted unless the corresponding substitution notice contains a valid authorization to request the substitution and is read out at bid opening. Envelopes marked “MODIFICATION” shall be opened and read out with the corresponding Bid. No Bid modification shall be permitted unless the corresponding modification notice contains a valid authorization to request the modification and is read out at Bid opening. Only envelopes that are opened and read out at Bid opening shall be considered further.
- 1.22.3 The bidders’ names, bid modifications or withdrawals, bid prices, discounts, and the presence or absence of requisite bid security and such other details as the Purchaser, at its discretion, may consider appropriate, will be announced at the opening. No bid shall be rejected at bid opening, except for late bid(s). The contents of the bid forms and price schedules would however be announced only at the time of opening of Priced-bids in the case of two-bid system.
- 1.22.4 Bids that are received late shall not be considered further for evaluation, irrespective of the circumstances.
- 1.22.5 **Bidders interested in participating in the bid opening process, should depute their representatives along with an authority letter to be submitted to the purchaser at the time of bid opening.**

### **1.23. Confidentiality**

- 1.23.1 Information relating to the examination, evaluation, comparison, and post qualification of bids, and recommendation of contract award, shall not be disclosed to bidders or any other persons not officially concerned with such process until publication of the Contract Award.
- 1.23.2 Any effort by a Bidder to influence the Purchaser in the examination, evaluation, comparison, and post qualification of the bids or contract award decisions may result in the rejection of its Bid.

### **1.24. Clarification of Bids**

- 1.24.1 To assist in the examination, evaluation, comparison and post qualification of the bids, the Purchaser may, at its discretion, ask the Bidder for a clarification of its bid. The request for clarification and the response shall be in writing and no change in prices or substance of the bid shall be sought, offered or permitted. However, no negotiation shall be held except with the lowest bidder, at the discretion of the purchaser. Any clarification submitted by a bidder in respect to its bid which is not in response to a request by the purchaser shall not be considered.

## **1.25. Preliminary Examination**

- 1.25.1 The Purchaser shall examine the bids to confirm that all documents and technical documentation requested in ITB Clause 1.9 have been provided, and to determine the completeness of each document submitted.
- 1.25.2 The Purchaser shall confirm that the following documents and information have been provided in the Bid. If any of these documents or information is missing, the offer shall be rejected.
- (a) Bid Form and Price Schedule, in accordance with ITB Clause 1.10;
  - (b) All the tenders received will first be scrutinized to see whether the tenders meet the basic requirements as incorporated in the tender enquiry document. The tenders, who do not meet the basic requirements, are to be treated as unresponsive and ignored. The following are some of the important points, for which a tender may be declared as unresponsive and to be ignored, during the initial scrutiny:
    - (i) The Bid is unsigned.
    - (ii) The Bidder is not eligible.
    - (iii) The Bid validity is shorter than the required period.
    - (iv) The Bidder has quoted for goods manufactured by a different firm without the required authority letter from the proposed manufacturer.
    - (v) Bidder has not agreed to give the required performance security.
    - (vi) The goods quoted are sub-standard, not meeting the required specification, etc.
    - (vii) Against the schedule of Requirement (incorporated in the tender enquiry), the bidder has not quoted for the entire requirement as specified in that schedule.
    - (viii) The bidder has not agreed to some essential condition(s) incorporated in the tender enquiry.

## **1.26 Responsiveness of Bids**

- 1.26.1 Prior to the detailed evaluation, the purchaser will determine the substantial responsiveness of each bid to the bidding documents. For purposes of this clause, a substantive responsive bid is one, which conforms to all terms and condition of the bidding documents without material deviations, reservations or omissions. A material deviation, reservation or omission is one that:
- (a) Affects in any substantial way the scope, quality, or performance of the Goods and Related Services specified in the Contract; or
  - (b) Limits in any substantial way, inconsistent with the Bidding Documents, the Purchaser's rights or the Bidder's obligations under the Contract; or
  - (c) If rectified, would unfairly affect the competitive position of other bidders presenting substantially responsive bids.

- 1.26.2 The purchasers' determination of a bid's responsiveness is to be based on the contents of the bid itself without recourse to extrinsic evidence.
- 1.26.3 If a bid is not substantially responsive, it will be rejected by the Purchaser and may not subsequently be made responsive by the Bidder by correction of the material deviation, reservation or omission.

### **1.27 Non-Conformity, Error and Omission**

- 1.27.1 Provided that a Bid is substantially responsive, the Purchaser may waive any nonconformities or omissions in the Bid that do not constitute a material deviation.
- 1.27.2 Provided that a bid is substantially responsive, the Purchaser may request that the Bidder submit the necessary information or documentation, within a reasonable period of time, to rectify nonmaterial nonconformities or omissions in the bid related to documentation requirements. Such omission shall not be related to any aspect of the price of the Bid. Failure of the Bidder to comply with the request may result in the rejection of its Bid.
- 1.27.3 Provided that the Bid is substantially responsive, the Purchaser shall correct arithmetical errors on the following basis:
- (a) if there is a discrepancy between the unit price and the line item total that is obtained by multiplying the unit price by the quantity, the unit price shall prevail and the line item total shall be corrected, unless in the opinion of the Purchaser there is an obvious misplacement of the decimal point in the unit price, in which case the line item total as quoted shall govern and the unit price shall be corrected;
  - (b) if there is an error in a total corresponding to the addition or subtraction of subtotals, the subtotals shall prevail and the total shall be corrected; and
  - (c) if there is a discrepancy between words and figures, the amount in words shall prevail, unless the amount expressed in words is related to an arithmetic error, in which case the amount in figures shall prevail subject to (a) and (b) above.
- 1.27.4 Provided that a bid is substantially responsive, the purchaser may request that a bidder may confirm the correctness of arithmetic errors as done by the purchaser within a target date. In case, no reply is received then the bid submitted shall be ignored and its Bid Security may be forfeited.

### **1.28 Examination of Terms & Conditions, Technical Evaluation**

- 1.28.1 The Purchaser shall examine the Bid to confirm that all terms and conditions specified in the GCC and the SCC have been accepted by the Bidder without any material deviation or reservation.
- 1.28.2 The Purchaser shall evaluate the technical aspects of the Bid submitted in accordance with ITB Clause 1.14, to confirm that all requirements specified in Schedule of Requirements of the Bidding Documents have been met without any material deviation or reservation.
- 1.28.3 If, after the examination of the terms and conditions and the technical evaluation, the Purchaser determines that the Bid is not substantially responsive in accordance with ITB Clause 1.26, it shall reject the Bid.

### **1.29 Conversion to Single Currency**

1.29.1 To facilitate evaluation and comparison, the Purchaser will convert all bid prices expressed in the amounts in various currencies in which the bid prices are payable to Indian Rupees at the selling exchange rate established by any bank in India as notified in the Newspapers on the date of bid opening in the case of single part bidding and the rates prevalent on the date of opening of the Priced bids in the case of two-part bidding. For this purpose, exchange rate notified in [www.xe.com](http://www.xe.com) or [www.rbi.org](http://www.rbi.org) or any other website could also be used by the purchaser.

### **1.30 Evaluation and comparison of bids**

1.30.1 The Purchaser shall evaluate each bid that has been determined, up to this stage of the evaluation, to be substantially responsive.

1.30.2 To evaluate a Bid, the Purchaser shall only use all the factors, methodologies and criteria defined below. No other criteria or methodology shall be permitted.

1.30.3 The bids shall be evaluated on the basis of final landing cost which shall be arrived as under:

#### **For goods manufactured in India**

- (i) The price of the goods quoted ex-works including all taxes already paid.
- (ii) GST and other taxes like excise duty etc. which will be payable on the goods if the contract is awarded.
- (iii) Charges for inland transportation, insurance and other local services required for delivering the goods at the desired destination.
- (iv) The installation, commissioning, cost of spares if any, cost of optional items if any and training charges including any incidental services, if any.

#### **For goods manufactured abroad**

- (i) The price of the goods, quoted on FCA (named place of delivery abroad) or FOB (named port of shipment), as specified in the bidding document.
- (ii) The charges for insurance and transportation of the goods to the port/place of destination.
- (iii) The agency commission etc., if any.
- (iv) The installation, commissioning, cost of spares if any, cost of optional items if any and training charges including any incidental services, if any.

1.30.4 The comparison between the indigenous and the foreign offers shall be made on FOR destination basis and CIF/CIP basis respectively. However, the CIF/CIP prices quoted by any foreign bidder shall be loaded further as under:

- (a) Towards customs duty and other statutory levies—as per applicable rates.
- (b) Towards custom clearance, inland transportation etc. - 2% of the CIF/CIP value.



**Note: Where there is no mention of packing, forwarding, freight, insurance charges, taxes etc. such offers shall be rejected as incomplete.**

- 1.30.5 In the case of Purchase of many items against one tender, which are not inter-dependent or, where compatibility is not a problem, normally the comparison would be made on ex-works, ( in case of indigenous items) and on FOB / FCA (in the case of imports) prices quoted by the firms for identifying the lowest quoting firm for each item.
- 1.30.6 Orders for imported stores need not necessarily be on FOB/FCA basis rather it can be on the basis of any of the incoterm specified in ICC Incoterms 2000 as may be amended from time to time by the ICC or any other designated authority and favourable to NIPERs/ Concerned Ministry.
- 1.30.7 Wherever the price quoted on FOB/FCA and CIF/CIP basis are the same, the Contract would be made on CIF / CIP basis only.
- 1.30.8 The GCC and the SCC shall specify the mode of transport i.e., whether by air/ocean/road/rail.
- 1.30.9 In case optional items are specified in the tendered specifications, the purchaser reserves the right to buy or not to buy the optional items. In case, the option is exercised to buy the optional items, after bid opening, then the cost of the optional items would be included to ascertain the lowest evaluated responsive bid. In case, the option is exercised not to buy the optional items, then the cost of the optional items would not be included in ascertaining the lowest evaluated responsive bid.

Note: Bidders not quoting for the optional items entail the risk of their offer being summarily ignored on the event the purchaser decides to buy the optional items after tender opening.

**1.31.1**The Purchaser shall compare all substantially responsive bids to determine the lowest valuated bid, in accordance with ITB Clause 1.30.

### **1.32** **Contacting the Purchaser**

- 1.32.1 Subject to ITB Clause 1.24, no Bidder shall contact the Purchaser on any matter relating to its bid, from the time of the bid opening to the time the Contract is awarded.
- 1.32.2 Any effort by a Bidder to influence the Purchaser in its decisions on bid evaluation, bid comparison or contract award may result in rejection of the Bidder's bid.

### **1.33** **Post qualification**

- 1.33.1 In the absence of pre-qualification, the Purchaser will determine to its satisfaction whether the Bidder that is selected as having submitted the lowest evaluated responsive bid is qualified to perform the contract satisfactorily, in accordance with the criteria listed in ITB Clause 1.13.
- 1.33.2 The determination will take into account the eligibility criteria listed in the bidding documents and will be based upon an examination of the documentary evidence of the Bidder's qualifications submitted by the Bidder, as well as such other information as the Purchaser deems necessary and appropriate.

- 1.33.3 An affirmative determination will be a prerequisite for award of the contract to the Bidder. A negative determination will result in rejection of the Bidder's bid.

## **F      AWARD OF CONTRACT**

### **1.34    Negotiations**

- 1.34.1 There shall not be any negotiation normally. Negotiations, if at all, shall be an exception and only in the case of items with limited source of supply. Negotiations shall be held with the lowest evaluated responsive bidder. Counter offers tantamount to negotiations and shall be treated at par with negotiations in the case of one time purchases.

### **1.35    Award Criteria**

- 1.35.1 Subject to ITB Clause 1.37, the Purchaser will award the contract to the successful Bidder whose bid has been determined to be substantially responsive and has been determined to be the lowest evaluated bid, provided further that the Bidder is determined to be qualified to perform the contract satisfactorily. The details of the award would be hosted on the website of the Purchaser.

### **1.36    Purchaser's right to vary Quantities at Time of Award**

- 1.36.1 The Purchaser reserves the right at the time of Contract award to increase or decrease the quantity of goods and services originally specified in the Schedule of Requirements without any change in unit price or other terms and conditions. Further, at the discretion of the purchaser, the quantities in the contract may be enhanced by 30% within the delivery period.

### **1.37    Purchaser's right to accept Any Bid and to reject any or All Bids**

- 1.37.1 The Purchaser reserves the right to accept or reject any bid, and to annul the bidding process and reject all bids at any time prior to award of Contract, without thereby incurring any liability to the affected Bidder or Bidders.

### **1.38    Notification of Award**

- 1.38.1 Prior to the expiration of the period of bid validity, the Purchaser will notify the successful bidder in writing by registered letter or by cable or telex or fax or e mail that the bid has been accepted and a separate purchase order shall follow through post.
- 1.38.2 Until a formal contract is prepared and executed, the notification of award should constitute a binding contract.
- 1.38.3 Upon the successful Bidder's furnishing of the signed Contract Form and performance security pursuant to ITB Clause 1.41, the Purchaser will promptly notify each unsuccessful Bidder and will discharge its bid security.

### **1.39    Signing of Contract**

- 1.39.1 Promptly after notification, the Purchaser shall send the successful Bidder the Agreement/PO.
- 1.39.2 Within twenty-one (21) days of date of the Agreement, the successful Bidder shall sign, date, and return it to the Purchaser.

#### **1.40 Order Acceptance**

- 1.40.1 The successful bidder should submit Order acceptance within 15 days from the date of issue, failing which it shall be presumed that the vendor is not interested and his bid security is liable to be forfeited pursuant to clause 1.15.11 of ITB.
- 1.40.2 The order confirmation must be received within 15 days. However, the Purchaser has the powers to extend the time frame for submission of order confirmation and submission of Performance Security (PS). Even after extension of time, if the order confirmation/PS are not received, the contract shall be cancelled and limited tenders irrespective of the value shall be invited from the responding firms after forfeiting the bid security of the defaulting firm, where applicable, provided there is no change in specifications. In such cases the defaulting firm shall not be considered again for re-tendering in the particular case.

#### **1.41 Performance Security**

- 1.41.1 Within 21 days of receipt of the notification of award/PO, the Supplier shall furnish performance security (PS) in the amount specified in SCC, valid till 60 days after the warranty period. Alternatively, the PS may also be submitted at the time of release of final payment in cases where part payment is made against delivery & part on installation. The PS, where applicable, shall be submitted in advance for orders where full payment is to be made on Letter of Credit (LC) or on delivery. In this case, submission of PS at the time of negotiation of documents through Bank would be stipulated as a condition in the LC and the BS should be kept valid till such time the PS is submitted.
- 1.41.2 The proceeds of the performance security shall be payable to the Purchaser as compensation for any loss resulting from the Supplier's failure to complete its obligations under the Contract.
- 1.41.3 The Performance Security shall be denominated in Indian Rupees for the offers received for supplies within India and denominated in the currency of the contract in the case of offers received for supply from foreign countries.
- 1.41.4 In the case of imports, the PS may be submitted either by the principal or by the Indian agent and, in the case of purchases from indigenous sources, the PS may be submitted by either the manufacturer or their authorized dealer/bidder.
- 1.41.5 The Performance security shall be in one of the following forms:
- (a) A Bank guarantee or stand-by Letter of Credit issued by a Nationalized/ Scheduled bank located in India or a foreign bank with preferably its operating branch in India in the form provided in the bidding documents. Or
  - (b) A Banker's cheque or Account Payee demand draft in favour of the purchaser. Or,
  - (c) A Fixed Deposit Receipt pledged in favour of the Purchaser.

- 1.41.6 The performance security will be discharged by the Purchaser and returned to the Supplier not later than 60 days following the date of completion of the Supplier's performance obligations, including any warranty obligations, unless specified otherwise in SCC, without levy of any interest.
- 1.41.7 In the event of any contract amendment, the supplier shall, within 21 days of receipt of such amendment, furnish the amendment to the performance security, rendering the same valid for the duration of the contract, as amended for further period of 60 days thereafter.
- 1.41.8 The order confirmation should be received within 15 days from the date of notification of award. However, the purchaser has the powers to extend the time frame for submission of order confirmation and submission of Performance Security (PS). Even after extension of time, if the order confirmation /PS are not received, the contract shall be cancelled and limited tenders irrespective of the value would be invited from the responding firms after forfeiting the bid security of the defaulting firm, where applicable provided there is no change in specifications. In such cases the defaulting firm would not be considered again for re-tendering in the particular case.
- 1.41.9 Whenever, the bidder chooses to submit the Performance Security in the form of Bank Guarantee, then he should advise the banker issuing the Bank Guarantee to immediately send by Registered Post (A.D.) an unstamped duplicate copy of the Guarantee directly to the Purchaser with a covering letter to compare with the original BG for the correctness, genuineness, etc.**

#### **1.42.0 Pre-bid Conference**

- 1.42.1 A Pre-bid Conference shall be held as indicated in invitation to bid. All prospective bidders are requested to kindly attend the Pre-bid Conference. In order to facilitate the purchaser the proper conduct of the Pre-bid Conference, all prospective bidders are requested to kindly submit their queries (with envelope bearing Tender No. and Date on top and marked "Queries for Pre-bid Conference") so as to reach the purchaser as indicated in invitation to bid. The purchaser shall answer the queries during the pre-bid conference, which would become a part of the proceedings of the Pre-bid Conference. These proceedings will become a part of clarifications / amendments to the bidding documents and would become binding on all the prospective bidders. These proceedings would also be hosted on the purchaser's website for the benefit of all the prospective bidders. Before formulating and submitting their bids, all prospective bidders are advised to surf through the purchaser's website after the Pre-bid Conference, in order to enable them take cognizance of the changes made in the bidding document.

# **CHAPTER 2**

## **CONDITIONS OF CONTRACT**

### **A GENERAL CONDITIONS OF CONTRACT**

#### **Table of Contents**

<b>Sl. No.</b>	<b>Clause</b>
2.1	Definitions
2.2	Contract Documents
2.3	Fraud and Corruption
2.4	Joint Venture, Consortium or Association
2.5	Scope of Supply
2.6	Suppliers' Responsibilities
2.7	Contract price
2.8	Copy Right
2.9	Application
2.10	Standards
2.11	Use of Contract Documents and Information
2.12	Patent Indemnity
2.13	Performance Security
2.14	Inspections and Tests
2.15	Packing
2.16	Delivery and Documents
2.17	Insurance
2.18	Transportation

2.19	Incidental Services
2.20	Spare Parts
2.21	Warranty
2.22	Terms of Payment
2.23	Change Orders and Contract Amendments
2.24	Assignment
2.25	Subcontracts
2.26	Extension of time
2.27	Penalty Clause
2.28	Termination for Default
2.29	Force Majeure
2.30	Termination for insolvency
2.31	Termination for Convenience
2.32	Settlement of Disputes
2.33	Governing Language
2.34	Applicable Law
2.35	Notice
2.36	Taxes and Duties
2.37	Right to use Defective Goods
2.38	Protection against Damage
2.39	Site preparation and installation
2.40	Integrity Pact
2.41	Import and Export Licenses
2.42	Risk Purchase Clause

## **2.1 Definitions**

2.1.1 The following words and expressions shall have the meanings hereby assigned to them:

- (a) “Contract” means the Contract Agreement entered into between the Purchaser and the Supplier, together with the Contract Documents referred to therein, including all attachments, appendices, and all documents incorporated by reference therein.
- (b) “Contract Documents” means the documents listed in the Contract Agreement, including any amendments thereto.

- (c) “Contract Price” means the price payable to the Supplier as specified in the Contract Agreement, subject to such additions and adjustments thereto or deductions there from, as may be made pursuant to the Contract.
- (d) “Day” means calendar day.
- (e) “Completion” means the fulfilment of the Related Services by the Supplier in accordance with the terms and conditions set forth in the Contract.
- (f) “GCC” means the General Conditions of Contract.
- (g) “Goods” means all of the commodities, raw material, machinery and equipment, and/or other materials that the Supplier is required to supply to the Purchaser under the Contract.
- (h) “Related Services” means the services incidental to the supply of the goods, such as transportation, insurance, installation, training and initial maintenance and other such obligations of the Supplier under the Contract.
- (i) “SCC” means the Special Conditions of Contract.
- (j) “Subcontractor” means any natural person, private or government entity, or a combination of the above, to whom any part of the Goods to be supplied or execution of any part of the Related Services is subcontracted by the Supplier.
- (k) “Supplier” means the natural person, private or government entity, or a combination of the above, whose bid to perform the Contract has been accepted by the Purchaser and is named as such in the Contract Agreement.
- (l) The “Institute” means the National Institute of Pharmaceutical Education and Research (NIPER), working under the Department of Pharmaceuticals, Ministry of Chemicals and Fertilizers of the Govt. of India having its office at New Delhi, India and the “Purchaser” means NIPER Guwahati, Assam
- (m) “The final destination,” where applicable, means the place named in the SCC.

## **2.2 Contract Documents**

2.2.1 Subject to the order of precedence set forth in the Contract Agreement, all documents forming the Contract (and all parts thereof) are intended to be correlative, complementary, and mutually explanatory. The Contract Agreement shall be read as a whole.

## **2.3 Fraud and Corruption**

2.3.1 The purchaser requires that bidders, suppliers, contractors and consultants, if any, observe the highest standard of ethics during the procurement and execution of such contracts. In pursuit of this policy,

- (a) The terms set forth below are defined as follows:

- (i) “Corrupt practice” means the offering, giving, receiving, or soliciting, directly or indirectly, of anything of value to influence the action of a public official in the procurement process or in contract execution;
  - (ii) “Fraudulent practice” means a misrepresentation or omission of facts in order to influence a procurement process or the execution of a contract;
  - (iii) “Collusive practice” means a scheme or arrangement between two or more bidders, with or without the knowledge of the Borrower, designed to establish bid prices at artificial, non-competitive levels; and
  - (iv) “Coercive practice” means harming or threatening to harm, directly or indirectly, persons or their property to influence their participation in the procurement process or affect the execution of a contract;
- (b) The purchaser will reject a proposal for award if it determines that the Bidder recommended for award has, directly or through an agent, engaged in corrupt, fraudulent, collusive or coercive practices in competing for the Contract in question;

#### **2.4 Joint Venture, Consortium or Association**

- 2.4.1 If the Supplier is a joint venture, consortium, or association, all of the parties shall be jointly and severally liable to the Purchaser for the fulfilment of the provisions of the Contract and shall designate one party to act as a leader with authority to bind the joint venture, consortium, or association. The composition or the constitution of the joint venture, consortium, or association shall not be altered without the prior consent of the Purchaser.

#### **2.5 Scope of Supply**

- 2.5.1 The Goods and Related Services to be supplied shall be as specified in Chapter 4 i.e. Specifications and allied technical details.

#### **2.6 Suppliers’ Responsibilities**

- 2.6.1 The Supplier shall supply all the Goods and Related Services included in the Scope of Supply in accordance with Scope of Supply Clause of the GCC, and the Delivery and Completion Schedule, as per GCC Clause relating to delivery and document.

#### **2.7 Contract price**

- 2.7.1 Prices charged by the Supplier for the Goods supplied and the Related Services performed under the Contract shall not vary from the prices quoted by the Supplier in its bid.

#### **2.8 Copy Right**

- 2.8.1 The copyright in all drawings, documents, and other materials containing data and information furnished to the Purchaser by the Supplier herein shall remain vested in the Supplier, or, if they are furnished to the Purchaser directly or through the Supplier by any third party, including suppliers of materials, the copyright in such materials shall remain vested in such third party.

#### **2.9 Application**



2.9.1 These General Conditions shall apply to the extent that they are not superseded by provisions in other parts of the Contract.

## **2.10 Standards**

2.10.1 The Goods supplied and services rendered under this Contract shall conform to the standards mentioned in the Technical Specifications, and, when no applicable standard is mentioned, to the authoritative standard appropriate to the Goods' country of origin and such standards shall be the latest issued by the concerned institution.

## **2.11 Use of Contract Documents and Information**

2.11.1 The Supplier shall not, without the Purchaser's prior written consent, disclose the Contract, or any provision thereof, or any specification, plan, drawing, pattern, sample or information furnished by or on behalf of the Purchaser in connection therewith, to any person other than a person employed by the Supplier in performance of the Contract. Disclosure to any such employed person shall be made in confidence and shall extend only so far, as may be necessary for purposes of such performance.

2.11.2 The Supplier shall not, without the Purchaser's prior written consent, make use of any document or information enumerated above except for purposes of performing the Contract.

2.11.3 Any document, other than the Contract itself, enumerated above shall remain the property of the Purchaser and shall be returned (in all copies) to the Purchaser on completion of the Supplier's performance under the Contract if so required by the Purchaser.

## **2.12 Patent Indemnity**

2.12.1 The Supplier shall, subject to the Purchaser's compliance with GCC Sub- Clause 2.12.2 indemnify and hold harmless the Purchaser and its employees and officers from and against any and all suits, actions or administrative proceedings, claims, demands, losses, damages, costs, and expenses of any nature, including attorney's fees and expenses, which the Purchaser may suffer as a result of any infringement or alleged infringement of any patent, utility model, registered design, trademark, copyright, or other intellectual property right registered or otherwise existing at the date of the Contract by reason of:

(a) The installation of the Goods by the Supplier or the use of the Goods in India; and

(b) The sale in any country of the products produced by the Goods.

2.12.2 If any proceedings are brought or any claim is made against the Purchaser, the Purchaser shall promptly give the Supplier a notice thereof, and the Supplier may at its own expense and in the Purchaser's name conduct such proceedings or claim and any negotiations for the settlement of any such proceedings or claim.

## **2.13 Performance Security**

2.13.1 Within 21 days of receipt of the notification of award/PO, the Supplier shall furnish performance security in the amount specified in SCC, valid till 60 days after the warranty period. Alternatively, the PS may also be submitted at the time of release of final payment in cases where part payment is made against delivery & part on installation. The PS, where applicable, shall be submitted in advance for orders where full payment is to be made on Letter of Credit (LC) or on delivery. In this case,

submission of PS at the time of negotiation of documents through Bank would be stipulated as a condition in the LC and the BS should be kept valid till such time the PS is submitted.

2.13.2 The proceeds of the performance security shall be payable to the Purchaser as compensation for any loss resulting from the Supplier's failure to complete its obligations under the Contract.

2.13.3 The Performance Security shall be denominated in Indian Rupees for the offers received for supplies within India and denominated in the currency of the contract in the case of offers received for supply from foreign countries.

2.13.4 In the case of imports, the PS may be submitted either by the principal or by the Indian agent and, in the case of purchases from indigenous sources, the PS may be submitted by either the manufacturer or their authorized dealer/bidder.

2.13.5 The Performance security shall be in one of the following forms:

(a) A Bank guarantee or stand-by Letter of Credit issued by a Nationalized/Scheduled bank located in India or a bank located abroad in the form provided in the bidding documents.

Or

(b) A Banker's cheque or Account Payee demand draft in favour of the purchaser.

Or

(c) A Fixed Deposit Receipt pledged in favour of the Purchaser.

2.13.6 The performance security will be discharged by the Purchaser and returned to the Supplier not later than 60 days following the date of completion of the Supplier's performance obligations, including any warranty obligations, unless specified otherwise in SCC, without levy of any interest.

2.13.7 In the event of any contract amendment, the supplier shall, within 21 days of receipt of such amendment, furnish the amendment to the performance security, rendering the same valid for the duration of the contract, as amended for further period of 60 days thereafter.

2.13.8 The order confirmation should be received within 15 days from the date of notification of award. However, the Purchaser has the powers to extend the time frame for submission of order confirmation and submission of Performance Security (PS). Even after extension of time, if the order confirmation /PS are not received, the contract shall be cancelled and limited tenders irrespective of the value would be invited from the responding firms after forfeiting the bid security of the defaulting firm, where applicable provided there is no change in specifications. In such cases the defaulting firm would not be considered again for re-tendering in the particular case.

**2.13.9 Whenever, the bidder chooses to submit the Performance Security in the form of Bank Guarantee, then he should advise the banker issuing the Bank Guarantee to immediately send by Registered Post (A.D.) an unstamped duplicate copy of the**

**Guarantee directly to the Purchaser with a covering letter to compare with the original BG for the correctness, genuineness, etc.**

#### **2.14 Inspections and Tests**

2.14.1 The inspections & test, training required would be as detailed in Chapter-4 of the Bidding Document relating to Specification and Allied Technical details.

#### **2.15 Packing**

2.15.1 The Supplier shall provide such packing of the Goods as is required to prevent their damage or deterioration during transit to their final destination as indicated in the Contract. The packing shall be sufficient to withstand, without limitation, rough handling during transit and exposure to extreme temperatures, salt and precipitation during transit and open storage.

Packing case size and weights shall take into consideration, where appropriate, the remoteness of the Goods' final destination and the absence of heavy handling facilities at all points in transit.

2.15.2 The packing, marking and documentation within and outside the packages shall comply strictly with such special requirements as shall be provided for in the Contract including additional requirements, if any, specified in SCC and in any subsequent instructions ordered by the Purchaser.

#### **2.16 Delivery and Documents**

2.16.1 Delivery of the Goods and completion and related services shall be made by the Supplier in accordance with the terms specified by the Purchaser in the contract. The details of shipping and/or other documents to be furnished by the supplier are specified in SCC.

2.16.2 The terms FOB, FCA, CIF, CIP etc. shall be governed by the rules prescribed in the current edition of the Inco terms published by the International Chambers of Commerce, Paris.

2.16.3 The mode of transportation shall be as specified in SCC.

#### **2.17 Insurance**

2.17.1 Should the purchaser elect to buy on CIF/CIP basis, the Goods supplied under the Contract shall be fully insured in Indian Rupees against any loss or damage incidental to manufacture or acquisition, transportation, storage and delivery in the manner specified in SCC.

2.17.2 Where delivery of the goods is required by the purchaser on CIF or CIP basis the supplier shall arrange and pay for Cargo Insurance, naming the purchaser as beneficiary and initiate & pursue claims till settlement, on the event of any loss or damage.

2.17.3 Where delivery is on FOB or FCA basis, insurance would be the responsibility of the purchaser.

2.17.4 With a view to ensure that claims on insurance companies, if any, are lodged in time, the bidders and /or the Indian agent shall be responsible for follow up with their principals

for ascertaining the dispatch details and informing the same to the Purchaser and he shall also liaise with the Purchaser to ascertain the arrival of the consignment after clearance so that immediately thereafter in his presence the consignment could be opened and the insurance claim be lodged, if required, without any loss of time. Any delay on the part of the bidder/Indian Agent would be viewed seriously and he shall be directly responsible for any loss sustained by the purchaser on the event of the delay.

## **2.18** **Transportation**

- 2.18.1 Where the Supplier is required under the Contract to deliver the Goods FOB, transport of the Goods, up to and including the point of putting the Goods on board the vessel at the specified port of loading, shall be arranged and paid for by the Supplier, and the cost thereof shall be included in the Contract price. Where the Supplier is required under the Contract to deliver the Goods FCA, transport of the Goods and delivery into the custody of the carrier at the place named by the Purchaser or other agreed point shall be arranged and paid for by the Supplier, and the cost thereof shall be included in the Contract price.
- 2.18.2 Where the Supplier is required under the Contract to deliver the Goods CIF or CIP, transport of the Goods to the port of destination or such other named place of destination in the Purchaser's country, as shall be specified in the Contract, shall be arranged and paid for by the Supplier, and the cost thereof shall be included in the Contract Price.
- 2.18.3 In the case of supplies from within India, where the Supplier is required under the Contract to transport the Goods to a specified destination in India, defined as the Final Destination, transport to such destination, including insurance and storage, as specified in the Contract, shall be arranged by the Supplier, and the related costs shall be included in the Contract Price.

## **2.19** **Incidental Services**

- 2.19.1 The supplier may be required to provide any or all of the services, including training, if any, specified in chapter 4.

## **2.20** **Spare Parts**

- 2.20.1 The Supplier shall be required to provide any or all of the following materials, notifications, and information pertaining to spare parts manufactured or distributed by the Supplier:
- (a) Such spare parts as the Purchaser may elect to purchase from the Supplier, providing that this election shall not relieve the Supplier of any warranty obligations under the Contract; and
  - (b) In the event of termination of production of the spare parts:
    - (i) Advance notification to the Purchaser of the pending termination, in sufficient time to permit the Purchaser to procure needed requirements; and
    - (ii) Following such termination, furnishing at no cost to the Purchaser, the blueprints, drawings and specifications of the spare parts, if requested.

## **2.21** **Warranty**

2.21.1 The Supplier warrants that all the Goods are new, unused, and of the most recent or current models, and that they incorporate all recent improvements in design and materials, unless provided otherwise in the Contract.

2.21.2 The Supplier further warrants that the Goods shall be free from defects arising from any act or omission of the Supplier or arising from design, materials, and workmanship, under normal use in the conditions prevailing in India.

2.21.3 Unless otherwise specified in the SCC, the warranty shall remain valid for Twelve (12) months after the Goods, or any portion thereof as the case may be, have been delivered to and accepted at the final destination indicated in the SCC, or for Eighteen (18) months after the date of shipment from the port or place of loading in the country of origin, whichever period concludes earlier.

2.21.3 The Purchaser shall give notice to the Supplier stating the nature of any such defects together with all available evidence thereof, promptly following the discovery thereof. The Purchaser shall afford all reasonable opportunity for the Supplier to inspect such defects.

2.21.4 Upon receipt of such notice, the Supplier shall, within a reasonable period of time, expeditiously repair or replace the defective Goods or parts thereof, at no cost to the Purchaser.

2.21.5 If having been notified, the Supplier fails to remedy the defect within a reasonable period of time, the Purchaser may proceed to take within a reasonable period such remedial action as may be necessary, at the Supplier's risk and expense and without prejudice to any other rights which the Purchaser may have against the Supplier under the Contract.

2.21.6 Goods requiring warranty replacements must be replaced on free of cost basis to the purchaser.

## **2.22** **Terms of Payment**

2.22.1 The method and conditions of payment to be made to the Supplier under this Contract shall be as specified in the SCC.

2.22.2 The Supplier's request(s) for payment shall be made to the Purchaser in writing, accompanied by an invoice describing, as appropriate, the Goods delivered and the Services performed, and by documents, submitted pursuant to Delivery and document Clause of the GCC and upon fulfilment of other obligations stipulated in the contract.

2.22.3 Payments shall be made promptly by the Purchaser but in no case later than thirty (30) days after submission of the invoice or claim by the Supplier.

2.22.4 Payment shall be made in currency as indicated in the contract.

## **2.23** **Change Orders and Contract Amendments**

2.23.1 The Purchaser may at any time, by written order given to the Supplier pursuant to Clause on Notices of the GCC make changes within the general scope of the Contract in any one or more of the following:

- (a) Drawings, designs, or specifications, where Goods to be furnished under the Contract are to be specifically manufactured for the Purchaser;
- (b) The method of shipping or packing;
- (c) The place of delivery; and/or
- (d) The Services to be provided by the Supplier.
- (e) The delivery schedule.

2.23.2 If any such change causes an increase or decrease in the cost of, or the time enquired for, the Supplier's performance of any provisions under the Contract, an equitable adjustment shall be made in the Contract Price or delivery schedule, or both, and the Contract shall accordingly be amended. Any claims by the Supplier for adjustment under this clause must be asserted within fifteen (15) days from the date of the Supplier's receipt of the Purchaser's change order.

2.23.3 No variation or modification in the terms of the contract shall be made except by written amendment signed by the parties.

## **2.24 Assignment**

2.24.1 The Supplier shall not assign, in whole or in part, its obligations to perform under the Contract, except with the Purchaser's prior written consent.

## **2.25 Subcontracts**

2.25.1 The Supplier shall notify the Purchaser in writing of all subcontracts awarded under this Contract if not already specified in the bid. Such notification, in the original bid or later, shall not relieve the Supplier from any liability or duties or obligation under the Contract.

## **2.26 Extension of time.**

2.26.1 Delivery of the Goods and performance of the Services shall be made by the Supplier in accordance with the time schedule specified by the Purchaser.

2.26.2 If at any time during performance of the Contract, the Supplier or its sub-contractor(s) should encounter conditions impeding timely delivery of the Goods and performance of Services, the Supplier shall promptly notify the Purchaser in writing of the fact of the delay, its likely duration and its cause(s). As soon as practicable after receipt of the Supplier's notice, the Purchaser shall evaluate the situation and may, at its discretion, extend the Supplier's time for performance with or without penalty, in which case the extension shall be ratified by the parties by amendment of the Contract.

2.26.3 Except as provided under the Force Majeure clause of the GCC, a delay by the Supplier in the performance of its delivery obligations shall render the Supplier liable to the imposition of penalty pursuant to Penalty Clause of the GCC unless an extension of time is agreed upon pursuant to above clause without the application of penalty clause.

## **2.27 Penalty clause**

2.27.1 Subject to GCC Clause on Force Majeure, if the Supplier fails to deliver any or all of the Goods or to perform the Services within the period(s) specified in the Contract, the Purchaser shall, without prejudice to its other remedies under the Contract, deduct from the Contract Price, as penalty, a sum equivalent to the percentage specified in

SCC of the delivered price of the delayed Goods or unperformed Services or contract value for each week or part thereof of delay until actual delivery or performance, up to a maximum deduction of the Percentage specified in SCC. Once the maximum is reached, the Purchaser may consider termination of the Contract pursuant to GCC Clause on Termination for Default. The SCC shall also indicate the basis for ascertaining the value on which the penalty shall be applicable.

## **2.28 Termination for Default**

2.28.1 The Purchaser may, without prejudice to any other remedy for breach of contract, by written notice of default sent to the Supplier, terminate the Contract in whole or part

- (a) If the Supplier fails to deliver any or all of the Goods within the period(s) specified in the contract, or within any extension thereof granted by the Purchaser pursuant to GCC Clause on Extension of Time; or
- (b) If the Supplier fails to perform any other obligation(s) under the Contract.
- (c) If the Supplier, in the judgment of the Purchaser has engaged in corrupt or fraudulent or collusive or coercive practices as defined in GCC Clause on Fraud or Corruption in competing for or in executing the Contract.

2.28.2 In the event the purchaser terminates the contract in whole or in part, he may take recourse to any one or more of the following action:

- (a) The Performance Security is to be forfeited;
- (b) The purchaser may procure, upon such terms and in such manner as it deems appropriate, stores similar to those undelivered, and the supplier shall be liable for all available actions against it in terms of the contract.
- (c) However, the supplier shall continue to perform the contract to the extent not terminated.

## **2.29 Force Majeure**

2.29.1 Notwithstanding the provisions of GCC Clauses relating to extension of time, penalty and Termination for Default the Supplier shall not be liable for forfeiture of its performance security, liquidated damages or termination for default, if and to the extent that, its delay in performance or other failure to perform its obligations under the Contract is the result of an event of Force Majeure.

2.29.2 For purposes of this Clause, “Force Majeure” means an event or situation beyond the control of the Supplier that is not foreseeable, is unavoidable, and its origin is not due to negligence or lack of care on the part of the Supplier. Such events may include, but not be limited to, acts of the Purchaser in its sovereign capacity, wars or revolutions, fires, floods, epidemics, quarantine restrictions, and freight embargoes.

2.29.3 If a Force Majeure situation arises, the Supplier shall promptly notify the Purchaser in writing of such conditions and the cause thereof within 21 days of its occurrence. Unless otherwise directed by the Purchaser in writing, the Supplier shall continue to

perform its obligations under the Contract as far as is reasonably practical, and shall seek all reasonable alternative means for performance not prevented by the Force Majeure event.

2.29.4 If the performance in whole or in part or any obligations under the contract is prevented or delayed by any reason of Force Majeure for a period exceeding 60 days, either party may at its option terminate the contract without any financial repercussions on either side.

### **2.30 Termination for Insolvency**

2.30.1 The Purchaser may at any time terminate the Contract by giving written notice to the Supplier, if the Supplier becomes bankrupt or otherwise insolvent. In this event, termination will be without compensation to the Supplier, provided that such termination will not prejudice or affect any right of action or remedy, which has accrued or will accrue thereafter to the Purchaser.

### **2.31 Termination for Convenience**

2.31.1 The Purchaser, by written notice sent to the Supplier, may terminate the Contract, in whole or in part, at any time. The notice of termination shall specify that termination is for the Purchaser's convenience, the extent to which performance of the Supplier under the Contract is terminated, and the date upon which such termination becomes effective.

2.31.2 The Goods that are complete and ready for shipment within 30 days after the Supplier's receipt of notice of termination shall be accepted by the Purchaser at the Contract terms and prices. For the remaining Goods, the Purchaser may elect:

- (a) To have any portion completed and delivered at the Contract terms and prices; and/or
- (b) To cancel the remainder and pay to the Supplier an agreed amount for partially completed Goods and for materials and parts previously procured by the Supplier.

### **2.32 Settlement of Disputes**

2.32.1 The Purchaser and the supplier shall make every effort to resolve amicably by direct informal negotiation any disagreement or dispute arising between them under or in connection with the Contract.

2.32.2 If, after twenty-one (21) days, the parties have failed to resolve their dispute or difference by such mutual consultation, then either the Purchaser or the Supplier may give notice to the other party of its intention to commence arbitration, as hereinafter provided, as to the matter in dispute, and no arbitration in respect of this matter may be commenced unless such notice is given. Any dispute or difference in respect of which a notice of intention to commence arbitration has been given in accordance with this Clause shall be finally settled by arbitration. Arbitration may be commenced prior to or after delivery of the Goods under the Contract. .



2.32.3 The dispute settlement mechanism/arbitration proceedings shall be concluded as under:

- (a) In case of Dispute or difference arising between the Purchaser and a domestic supplier relating to any matter arising out of or connected with this agreement, such disputes or difference shall be settled in accordance with the Indian Arbitration & Conciliation Act, 1996, the rules there under and any statutory modifications or re-enactments thereof shall apply to the arbitration proceedings. The dispute shall be referred to the Director NIPER Guwahati and if he is unable or unwilling to act, to the sole arbitration of some other person appointed by him willing to act as such Arbitrator. The award of the arbitrator so appointed shall be final, conclusive and binding on all parties to this order.
- (b) In the case of a dispute between the purchaser and a Foreign Supplier, the dispute shall be settled by arbitration In accordance with provision of sub-clause (a) above. But if this is not acceptable to the supplier then the dispute shall be settled in accordance with provisions of UNCITRAL (United Nations Commission on International Trade Law) Arbitration Rules.

2.32.4 The venue of the arbitration shall be the place from where the purchase order or contract is issued.

2.32.5 Notwithstanding any reference to arbitration herein,

- (a) The parties shall continue to perform their respective obligations under the Contract unless they otherwise agree; and
- (b) The Purchaser shall pay the Supplier any monies due the Supplier.

### **2.33 Governing Language**

2.33.1 The contract shall be written in English language which shall govern its interpretation. All correspondence and other documents pertaining to the Contract, which are exchanged by the parties, shall be written in the English language only.

### **2.34 Applicable Law**

2.34.1 The Contract shall be interpreted in accordance with the laws of the Union of India and all disputes shall be subject to place of jurisdiction as specified in SCC.

### **2.35 Notices**

2.35.1 Any notice given by one party to the other pursuant to this contract/order shall be sent to the other party in writing or by cable, telex, FAX, e-mail or and confirmed in writing to the other party's address specified in the SCC.

2.35.2 A notice shall be effective when delivered or on the notice's effective date, whichever is later.

### **2.36 Taxes and Duties**

2.36.1 For goods manufactured outside India, the Supplier shall be entirely responsible for all taxes, stamp duties, license fees, and other such levies imposed outside India.

2.36.2 For goods Manufactured within India, the Supplier shall be entirely responsible for all taxes, duties, license fees, etc., incurred till its final manufacture/production.

2.36.3 If any tax exemptions, reductions, allowances or privileges may be available to the Supplier in India, the Purchaser shall make its best efforts to enable the Supplier to benefit from any such tax savings to the maximum allowable extent.

**2.36.4 All payments due under the contract shall be paid after deduction of statutory levies (at source) (like ESIC, IT, etc.) wherever applicable.**

2.36.5 Excise **Duty** – If the supply is within India, this institute is exempted from payment of Excise Duty as per notification No.10/97 – Central Excise, dated 1<sup>st</sup> March, 1997.

**Customs Duty** – If the supply is from abroad this Institute is permitted to import goods as per notification No.51/96 – Customs and pay a concessional duty up to 5% as per notification 24/2002 – Customs on all imports.

### **2.37 Right to use Defective Goods**

2.37.1 If after delivery, acceptance and installation and within the guarantee and warranty period, the operation or use of the goods proves to be unsatisfactory, the Purchaser shall have the right to continue to operate or use such goods until rectifications of defects, errors or omissions by repair or by partial or complete replacement is made without interfering with the Purchaser's operation.

### **2.38 Protection against Damage**

2.38.1 The system shall not be prone to damage during power failures and trip outs. The normal voltage and frequency conditions available at site as under:

- (a) Voltage 230 volts – Single phase/ 415 V 3 phase (+\_ 10%)
- (b) Frequency 50 Hz.

### **2.39 Site preparation and installation**

2.39.1 The Purchaser is solely responsible for the construction of the equipment sites in compliance with the technical and environmental specifications defined by the Supplier. The Purchaser will designate the installation sites before the scheduled installation date to allow the Supplier to perform a site inspection to verify the appropriateness of the sites before the installation of the Equipment, if required. The supplier shall inform the purchaser about the site preparation, if any, needed for installation, of the goods at the purchaser's site immediately after notification of award/contract.

### **2.40 Integrity Pact**

2.40.1 As per directive of the Central Vigilance Commission all organizations including NIPERs have to adopt an Integrity pact (IP) to ensure transparency, equity and competitiveness in major Public procurement activities. The integrity pact envisages an agreement between the prospective bidders/vendors with the buyer committing the persons/officials of both the parties with the aim not to exercise any

corrupt influence on any aspect of the contract. Only those bidders/vendors who are willing to enter in to such an integrity pact with the Purchaser would be competent to participate in the bidding.

2.40.2 IP also envisages Panel of Independent External Monitors (IEMs) which shall be provided/recommended by NIPER Guwahati.

2.40.3 The integrity Pact would be effective from the date of invitation of bids till complete execution of the contract.

2.40.4 The SCC shall specify whether there is a need to enter into a separate integrity pact or not. The model format of integrity pact (IP) is at Chapter-8.

#### **2.41 Import and Export Licenses**

2.41.1 If the ordered materials are covered under restricted category of EXIM policy in India the Vendor / Agent may intimate such information for obtaining a necessary license in India.

2.41.2 If the ordered equipment is subject to Vendor procuring an export license from the designated government agency / country from where the goods are shipped / sold, the vendor has to mention the name, address of the government agency / authority. The vendor must also mention the time period within which the license will be granted in normal course.

#### **2.42 Risk Purchase Clause**

2.42.1 If the supplier fails to deliver the goods within the maximum delivery period specified in the contract or Purchase Order, The purchaser may procure, upon such terms and in such a manner as it deems appropriate, Goods or Services similar to those undelivered and the Supplier shall be liable to the purchaser for any excess costs incurred for such similar goods or services.

## **B SPECIAL CONDITIONS OF CONTRACT**

### **Table of Contents**

<b><u>Sl. No.</u></b>	<b><u>GCC Clause</u></b>
01.	GCC 2.1.1 (l)
02.	GCC 2.1.1 (m)
03.	GCC 2.13.1
04.	GCC 2.15.2
05.	GCC 2.16.1
06.	GCC 2.16.3
07.	GCC 2.17.1
08.	GCC 2.21.3

09.	GCC 2.22.1
10.	GCC 2.27.1
11.	GCC 2.27.1
12.	GCC 2.34.1
13.	GCC 2.35.1
14.	GCC 2.40.3

### **Special conditions of contract (SCC)**

**The following Special Conditions of Contract (SCC) shall supplement and / or amend the General Conditions of Contract (GCC). Whenever there is a conflict, the provisions herein shall prevail over those in the GCC.**

GCC 2.1.1(l)	The Purchaser is: The Director, NIPER Guwahati, C/o NETES Institute of Technology & Science, NH-37, Shantipur, Parli Part, Mirza, Assam - 781125, India
GCC 2.1.1(m)	The Final Destination is: NIPER (National Institute of Pharmaceutical Education and Research, Guwahati, C/o NETES Institute of Technology & Science, NH-37, Shantipur, Parli Part, Mirza, Assam - 781125, India
GCC 2.13.1	The amount of the Performance Security shall be 10 % of the contract value.
GCC 2.15.2	<p>The marking and documentation within and outside the packages shall be:</p> <p>(a) Each package should have a packing list within it detailing the part No(s), description, quantity etc.</p> <p>(b) Outside each package, the contract No., the name and address of the purchaser and the final destination should be indicated on all sides and top.</p> <p>(c) Each package should be marked as 1/x, 2/x, 3/x.....x/x, where “x” is the total No. of packages contained in the consignment.</p> <p>(d) All the sides and top of each package should carry an appropriate indication/label/stickers indicating the precautions to be taken while handling/storage.</p>

GCC 2.16.1	<p>Details of Shipping and other Documents to be furnished by the Supplier are :</p> <p><u>For goods manufactured within India</u></p> <p>Within 24 hours of dispatch, the supplier shall notify the purchaser the complete details of dispatch and also supply following documents by registered post / speed post and copies thereof by FAX.</p> <p>(a) Two copies of Supplier's Invoice indicating, <i>inter-alia</i> description and specification of the goods, quantity, unit price, total value;</p> <p>(b) Packing list;</p> <p>(c) Certificate of country of origin;</p>
GCC 2.16.1	<p>(d) Insurance certificate, if required under the contract;</p> <p>(e) Railway receipt/Consignment note;</p> <p>(f) Manufacturer's guarantee certificate and in-house inspection certificate;</p> <p>(g) Inspection certificate issued by purchaser's inspector, if any; and</p> <p>(h) Any other document(s) as and when required in terms of the contract.</p> <p>Note:</p> <p>01. <b>The nomenclature used for the item description in the Invoices (s), packing list(s) and the delivery note(s) etc. should be identical to that used in the contract. The dispatch particulars including the name of the transporter should also be mentioned in the Invoice(s).</b></p> <p>02. The above documents should be received by the Purchaser before arrival of the Goods and, if not received, the Supplier will be responsible for any consequent expenses</p> <p><u>For goods manufactured abroad</u></p> <p>Within 24 hours of dispatch, the supplier shall notify the purchaser the complete details of dispatch and also supply following documents by Registered Post/courier and copies thereof by email.</p> <p>(a) Two copies of supplier's Invoice giving full details of the goods including quantity, value, etc.;</p>

	<p>(b) Packing list;</p> <p>(c) Certificate of country of origin;</p> <p>(d) Manufacturer’s guarantee and Inspection certificate;</p> <p>(e) Inspection certificate issued by the Purchaser’s Inspector, if any;</p> <p>(f) Insurance Certificate, if required under the contract;</p> <p>(g) Name of the Vessel/Carrier;</p> <p>(h) Bill of Lading/Airway Bill;</p> <p>(i) Port of Loading;</p>
GCC 2.16.1	<p>(j) Date of Shipment;</p> <p>(k) Port of Discharge &amp; expected date of arrival of goods; and</p> <p>(l) Any other document(s) as and when required in terms of the contract.</p> <p>Note:</p> <p>01. <b>The nomenclature used for the item description in the invoices(s), packing list(s) and the delivery note(s) etc. should be identical to that used in the contract. The dispatch particulars including the name of the transporter should also be mentioned in the Invoice(s).</b></p> <p>02. The above documents should be received by the Purchaser before arrival of the Goods and, if not received, the Supplier will be responsible for any consequent expenses.</p>
GCC 2.16.3	<p>In case of supplies from within India, the mode of transportation shall be by Air/Rail/Road.</p> <p>In case of supplies from abroad, the mode of transportation shall be by Air/Ocean.</p>
GCC 2.17.1	<p>The Insurance shall be for an amount equal to 110% of the CIF or CIP value of the contract from within “warehouse to warehouse (final destination)” on “all risk basis” including strikes, riots and civil commotion.</p>
GCC 2.21.3	<p>The period of validity of the Comprehensive Warranty shall be Three years (36) months from the date of acceptance.</p>

GCC2.22.1	<p>The method and conditions of payment to be made to the Supplier under this Contract shall be as follows:</p> <p><u>Payment Terms: As a matter of policy being a Government institution no advance payments can be made to suppliers. The following payment terms may please be noted:</u></p> <p>.</p> <p>For imported items: A letter of credit will be established for 100% value with the following stipulations:</p> <ul style="list-style-type: none"> <li>(I) 50% Payment will be released against physical delivery of items at NIPER Guwahati in good condition.</li> <li>(II) 40% payment deducting Indian agency commission component after satisfactory installation, commissioning, demonstration, training etc. the component of Indian agency commission will be released separately in equivalent Indian currency to Indian agent against submission of their claim.</li> <li>(III) Balance 10% will be released after receiving performance bank guarantee to cover agreed comprehensive warranty obligations.</li> </ul>
GCC 2.22.1	<p>The L/C will be confirmed at the suppliers cost, if requested specifically by the supplier. All bank charges abroad shall be to the account of the beneficiary i.e. supplier and all bank charges in India shall be to the account of the opener i.e. purchaser. If L/C is requested to be extended/ reinstated for reasons not attributable to the purchaser, the charges thereof would be to the suppliers' account. Payment of local currency portion shall be made in Indian Rupees within thirty (30) days of presentation of claim supported by a certificate from the Purchaser declaring that the Goods have been delivered and that all other contracted Services have been performed. The LC for 100% value of the contract shall be established after deducting the agency commission payable if any, to the Indian agent from the FGOB/FCA value.</p> <p><u>Payment for Goods and Services supplied from India:</u></p> <p>The payment shall be made in Indian Rupees, as follows:</p> <ul style="list-style-type: none"> <li>(a) After shipment eighty (80) percent of the Contract Price <ul style="list-style-type: none"> <li>shall be paid on receipt of the Goods in good condition and upon submission of the documents specified in GCC Clause 16.1</li> </ul> </li> <li>(b) On Acceptance: The remaining twenty (20) percent of the Contract value shall be paid to the Supplier within thirty (30) days after the date of the acceptance certificate issued by the Purchaser subject to submission of performance</li> </ul>

	<p>security, if any.</p> <p><b>Note:</b></p> <p><b>All payments due under the Contract shall be paid after deduction of statutory levies at source (like ESIC, Income Tax, etc.), wherever applicable.</b></p>
GCC 2.27.1	The penalty shall be 0.5% per week or part of a week towards late delivery and towards delay in installation and commissioning.
GCC 2.27.1	<p>The maximum amount of penalty shall be 10%</p> <p>The liquidated damages shall be levied on the delivered price of the delayed Goods or unperformed Services or contract value.</p>
GCC 2.34.1	The place of jurisdiction is Guwahati, India.
GCC 2.35.1	<p>For notices, the Purchaser's address is</p> <p>The Director  Attention Purchase Officer  Location: NIPER Guwahati,  C/o NETES Institute of Technology &amp; Science,  NH-37, Shantipur, Parli Part, Mirza, Assam - 781125, India.</p>
GCC 2.35.1	<p>Electronic mail address :</p> <p><a href="mailto:director@niperguwahati.ac.in">director@niperguwahati.ac.in</a>  <a href="mailto:inpurchase@niperguwahati.ac.in">inpurchase@niperguwahati.ac.in</a></p>
GCC 2.40.3	The integrity pact is not to be signed. However, efforts must be made to realize the objectives & spirits thereof.



**CHAPTER 3**

(To be filled by the bidder and enclosed

**SCHEDULE OF REQUIREMENT**

with the Technical Bid.)

Sl. No.	Brief Description of goods and services	Quantity	Physical Unit	Final destination/ Place	Delivery Schedule (to be filled by the bidder)	Time frame required for conducting installation, commissioning of the eqpt., acceptance test, etc. after the arrival of consignment  (to be filled by the bidder)

Term of delivery : FOB / FCA / CIF / CIP : .....

Period of delivery shall count from : .....

(to be filled by the bidder)

Scope of Supply : .....

Standards : .....

Training requirement : .....

(Location, no. of persons, period of training, nature of training)

Date : .....

Place : .....

**Signature of the Bidder**

**PS:** Authorization standards that ensure at least a equivalent quality than the standard mentioned in the Technical Specification, will also be acceptable.

## CHAPTER 4

Sealed Quotations are invited in two bid system (Technical bid and financial bid separately in sealed envelopes) for our NIPER new campus at Changsari, Guwahati, Assam. Detailed specifications, terms and conditions and lay out of the labs are mentioned below:

### **Eligibility Criteria:**

1. The bidder should submit list of client to whom identical or similar furniture supplied in the preceding three years with their contact details along with documentary evidence such as Purchase Orders executed etc.
2. The Vendors who are in a position to effectively supply the ordered furniture within 30 days from the date of placement of Purchase Order only need to participate.
3. The annual turnover of the furniture business should not be less than 3 crores and turnover of last five years must be produced.
4. The bidder should be in a position to provide satisfactory after sales service and must be able to provide quality maintenance service after expiry of guarantee/warranty period by maintaining sufficient stock of spare parts etc. and serviced mechanics.
5. Bidder should be registered under GST Act with concerned Tax Authorities. The bidder should furnish along with the bid document, the relevant GST Registration Document and PAN / TAN copies.

Sealed Quotations are invited in two bid system (Technical bid and financial bid separately in sealed envelopes) for establishment of **BioNEST Incubation Centre sponsored by BIRAC, Govt. of India** at NIPER new campus at Changsari, Guwahati, Assam as per the layouts of the drawings enclosed as **Annexure 1**. Detailed specifications, terms and conditions of the labs are mentioned below:

## **BoQ for Laboratory Furniture**

---

SR. NO.	ITEM DESCRIPTION	UNIT	QTY
1	<b>Fume Hood</b>		
	Fume Hood Type: Low Constant Volumewith <b>NON-STD 1000 Depth Size: 4 feet with Chemical Storage base Cabinet</b>	Nos.	2.00

	<b>Chemical Storage Cabinet</b>		
2	Floor Mounted Full Height Chemical Storage Cabinets (2 Glass Door, Phenolic Resin Laminate Liner, 4 Adjustable Shelves & 1 Fix, 15 PP trays.) 1000 mm (L) x 460 mm (D) x 1800 mm (H)	Nos.	9.00
3	Laboratory Stools	Nos.	50
4	Spot extractors	Nos.	2
5	Solvent and Acid Storage Cabinets	Nos.	1 each
	<b>Blower &amp; Ducting</b>		
	Centrifugal Blower 1 H.P for air suction in 4 ft Fume Hood	Nos.	2.00
6	Centrifugal Blower 1.5 H.P with Night Mode Starter for air suction in cluster of 9 nos. of Chemical Storage Cabinet	Nos.	1.00
	<b>PP+FRP Ducting Inc. Hardware and Accessories</b> (Approx. Qty given)	Approx Sqft.	810.00
7	<b>Lab Furniture</b>		
1	<b>PART-A</b>		
2	Granite worktop (17 to 19 mm)	Sqft.	104.00
3	Under Bench Modules of 'Standing Height (675mm) with 1 Drawer & 2 Shutters- 600 mm(L)	Nos.	8.00
4	Under Bench Modules of Standing Height(675mm) 1 Drawer & 2 Shutters- 750 mm(L)	Nos.	1.00
5	Under Bench Modules of Standing Height(675mm) with 2 Shutters Sink Unit - 750 mm(L)	Nos.	1.00
6	Under Bench Module of Standing Height (675mm) with 1 Shutter Corner Sink Unit:- 900 mm(L) X 900 mm (D)	Nos.	1.00
7	C-Frame 900 mm (D) X 900 mm(H) Table - 840 mm(L) X 850 mm(H) (For Both Sides)	Nos.	5.00
8	H-Frame 1500 mm (D) X 900 mm(H) I-Table - 1440 mm(L) X 850 mm(H) (For Both Sides)	Nos.	3.00
9	Gap Closing Panel (Table 900 mm(W) x 900 mm(H))- 68 mm(W) X 728 mm(H)	Nos.	1.00
10	Gap Closing Panel (Table 900 mm(W) x 900 mm(H))- 102 mm (W) X 728 mm(H)	Nos.	1.00
11	Gap Closing Panel (Table 1500 mm(W) x 900 mm(H))- 167 mm (W) X 728 mm(H)	Nos.	2.00

12	Gap Closing Panel (Table Height 900 mm )- 538 mm(W) X 728 mm(H)	Nos.	3.00
13	Reagent Rack Wall Table:2 Tier Struct, Switch & Sockets with wiring, 2Adjustable Shelves - 900 mm(L) X 190 mm(W) X 750 mm(H)	Nos.	2.00
14	Reagent Rack Wall Table:2 Tier Struct, Switch & Sockets with wiring, 2Adjustable Shelves - 1200 mm(L) X 190 mm(W) X 750 mm(H)	Nos.	1.00
15	Reagent Rack Island Table:2 Tier Struct, Switch & Sockets with wiring, 2Adjustable Shelves - 1050 mm(L) X 380 mm(W) X 750 mm(H)	Nos.	1.00
16	Reagent Rack Island Table:2 Tier Struct, Switch & Sockets with wiring, 2Adjustable Shelves - 1200 mm(L) X 380 mm(W) X 750 mm(H)	Nos.	1.00
17	Elect. Socket With Piano Switch 5/15Amp With Wiring (2.5 Sq.mm FRLS)	Nos.	19.00
18	3 Way Gooseneck Water Tap, Type Code 100/32 ( Indian )	Nos.	2.00
19	Big PP Sink - 600L X 450W X 300D mm	Nos.	2.00
20	Acrylic Splash Guard: 900mmL X 600mm H	Nos.	4.00
21	Peg Board Big Size: 750Mm L X 750Mm H ( 33 Pegs.) With Ss Collection Tray.	Nos.	2.00
22	Modesty Panel (Table 900 mm(H))- 1000 mm(L) x 728 mm(H)	Nos.	6.00
23	Standing height Furniture Front Closing Panel-150 mm(L)	Nos.	1.00
	<b>PART-B</b>		
1	Granite worktop (17 to 19 mm)	Sqft.	80.00
2	'Under Bench Modules of Standing Height(675mm) with1 Drawer & 1 Shutter- 450 mm(L)RHS	Nos.	1.00
3	Under Bench Modules of Standing Height(675mm) with1 Drawer & 2 Shutters- 600 mm(L)	Nos.	5.00
4	Under Bench Modules of Standing Height(675mm) with 1 Drawer & 2 Shutters- 750 mm(L)	Nos.	3.00
5	Under Bench Modules of Standing Height(675mm) with 1 Shutter Corner Unit:- 900 mm(L) X 900 mm (D)	Nos.	1.00
6	C-Frame 900 mm (D) X 900 mm(H) Table - 840 mm(L) X 850 mm(H) (For Both Sides)	Nos.	7.00

7	Reagent Rack Wall Table:2 Tier Struct, Switch & Sockets with wiring, 2Adjustable Shelves - 1050 mm(L) X 190 mm(W) X 750 mm(H)	Nos.	2.00
8	Reagent Rack Wall Table:2 Tier Struct, Switch & Sockets with wiring, 2Adjustable Shelves - 1200 mm(L) X 190 mm(W) X 750 mm(H)	Nos.	2.00
9	Reagent Rack Wall Table:2 Tier Struct, Switch & Sockets with wiring, 2Adjustable Shelves - 1500 mm(L) X 190 mm(W) X 750 mm(H)	Nos.	2.00
10	Elect. Socket With Piano Switch 5/15Amp With Wiring (2.5 Sq.mm FRLS)	Nos.	17.00
11	Standing height Furniture Fornt Closing Panel-150 mm(L)	Nos.	2.00
<b>Table No 04</b>			
1	Granite worktop (17 to 19 mm)	Sqft.	8.00
2	Under Bench Modules of Standing Height(675mm) with 1 Drawer & 2 Shutters- 750 mm(L)	Nos.	1.00
3	C-Frame 750 mm (D) X 900 mm(H) Table - 690 mm(L) X 850 mm(H) (For Both Sides)	Nos.	2.00
4	Gap Closing Panel (Table 750 mm(W) x 900 mm(H))- 55 mm (W) X 728 mm(H)	Nos.	2.00
5	Elect Trunking Box Str. Single side With wiring (Wall Table)750 mm(L) X 120 mm(W) X 120 mm(H)	Nos.	1.00
6	Elect. Socket With Piano Switch 5/15Amp With Wiring (2.5 Sq.mm FRLS)	Nos.	2.00
<b>COMMON LAB</b>			
1	Granite worktop (17 to 19 mm)	Sqft.	292.00
2	Under Bench Modules of Standing Height(675mm) with 1 Drawer & 2 Shutters- 600 mm(L)	Nos.	4.00
3	Under Bench Modules of Standing Height(675mm) with 1 Drawer & 2 Shutters- 750 mm(L)	Nos.	23.00
4	Under Bench Modules of Standing Height(675mm) with 2 Shutters Sink Unit - 750 mm(L)	Nos.	3.00
5	C-Frame 900 mm (D) X 900 mm(H) Table - 840 mm(L) X 850 mm(H) (For Both Sides)	Nos.	14.00
6	H-Frame 1500 mm (D) X 900 mm(H) I-Table - 1440 mm(L) X 850 mm(H) (For Both Sides)	Nos.	8.00

7	Gap Closing Panel (Table Height 900 mm )- 538 mm(W) X 728 mm(H)	Nos.	8.00
8	Gap Closing Panel (Table 1500 mm(W) x 900 mm(H))- 167 mm (W) X 728 mm(H)	Nos.	4.00
9	Gap Closing Panel (Table 900 mm(W) x 900 mm(H))- 68 mm(W) X 728 mm(H)	Nos.	2.00
10	Gap Closing Panel (Table 900 mm(W) x 900 mm(H))- 102 mm (W) X 728 mm(H)	Nos.	2.00
11	Elect Trunking Box Str. Single side With wiring (Wall Table)1500 mm(L) X 120 mm(W) X 120 mm(H)	Nos.	3.00
12	Reagent Rack Wall Table:2 Tier Struct, 2Adjustable Shelves - 1050 mm(L) X 190 mm(W) X 750 mm(H)	Nos.	1.00
13	Reagent Rack Wall Table:2 Tier Struct, 2Adjustable Shelves - 1200 mm(L) X 190 mm(W) X 750 mm(H)	Nos.	2.00
14	Reagent Rack Wall Table:2 Tier Struct, 2Adjustable Shelves - 1350 mm(L) X 190 mm(W) X 750 mm(H)	Nos.	1.00
15	Reagent Rack Island Table:2 Tier Struct, 2Adjustable Shelves - 1200 mm(L) X 380 mm(W) X 750 mm(H)	Nos.	2.00
16	Reagent Rack Island Table:2 Tier Struct, 2Adjustable Shelves - 1350 mm(L) X 380 mm(W) X 750 mm(H)	Nos.	4.00
17	Elect. Socket With Piano Switch 5/15Amp With Wiring (2.5 Sq.mm FRLS)	Nos.	53.00
18	Big PP Sink - 600L X 450W X 300D mm	Nos.	3.00
19	Acrylic Splash Guard: 900mmL X 600mm H	Nos.	4.00
20	3 Way Gooseneck Water Tap, Type Code 100/32 ( Indian )	Nos.	3.00
21	Acrylic Splash Guard: 750mmL X 600mm H	Nos.	2.00
22	Peg Board Big Size: 750Mm L X 750Mm H ( 33 Pegs.) With Ss Collection Tray.	Nos.	3.00
23	Modesty Panel (Table 900 mm(H))- 1000 mm(L) x 728 mm(H)	Nos.	20.00
<b>LAB-02</b>			
1	Granite worktop (17 to 19 mm)	Sqft.	120.00
2	Under Bench Modules of Standing Height(675mm) with 1 Drawer & 2 Shutters- 600 mm(L)	Nos.	7.00
3	Under Bench Modules of Standing Height(675mm) with 1	Nos.	6.00

	Drawer & 2 Shutters- 750 mm(L)		
4	Under Bench Modules of Standing Height(675mm) with 2 Shutters Sink Unit - 750 mm(L)	Nos.	2.00
5	C-Frame 900 mm (D) X 900 mm(H) Table - 840 mm(L) X 850 mm(H) (For Both Sides)	Nos.	7.00
6	C-Frame 1000 mm (D) X 900 mm(H) Table - 940 mm(L) X 850 mm(H) (For Both Sides)	Nos.	4.00
7	Gap Closing Panel (Table 900 mm(W) x 900 mm(H))- 102 mm (W) X 728 mm(H)	Nos.	2.00
8	Gap Closing Panel (Table 900 mm(W) x 900 mm(H))- 68 mm(W) X 728 mm(H)	Nos.	2.00
9	Elect Trunking Box Str. Single side With wiring (Wall Table)1350 mm(L) X 120 mm(W) X 120 mm(H)	Nos.	2.00
10	Elect Trunking Box Str. Single side With wiring (Wall Table)1500 mm(L) X 120 mm(W) X 120 mm(H)	Nos.	1.00
11	Reagent Rack Wall Table:2 Tier Struct, Switch & Sockets with wiring, 2Adjustable Shelves - 1200 mm(L) X 190 mm(W) X 750 mm(H)	Nos.	3.00
12	Elect. Socket With Piano Switch 5/15Amp With Wiring (2.5 Sq.mm FRLS)	Nos.	18.00
13	Acrylic Splash Guard: 900mmL X 600mm H	Nos.	4.00
14	Peg Board Big Size: 750Mm L X 750Mm H ( 33 Pegs.) With Ss Collection Tray.	Nos.	2.00
15	Big PP Sink - 600L X 450W X 300D mm	Nos.	2.00
16	3 Way Gooseneck Water Tap, Type Code 100/32 ( Indian )	Nos.	2.00
17	Standing height Furniture Front Closing Panel-350 mm(L)	Nos.	1.00
	<b>BLOCK-B</b>		
1	Granite worktop (17 to 19 mm)	Sqft.	9.00
2	Under Bench Modules of Standing Height(675mm) with Drawer & 1 Shutter- 450 mm(L)LHS	Nos.	1.00
3	Under Bench Modules of Standing Height(675mm) with 1 Drawer & 1 Shutter- 450 mm(L)RHS	Nos.	1.00
4	C-Frame 750 mm (D) X 900 mm(H) Table - 690 mm(L) X 850 mm(H) (For Both Sides)	Nos.	2.00
5	Gap Closing Panel (Table 750 mm(W) x 900 mm(H))- 55	Nos.	1.00



	mm (W) X 728 mm(H)		
6	Elect Trunking Box Str. Single side With wiring (Wall Table)900 mm(L) X 120 mm(W) X 120 mm(H)	Nos.	1.00
7	Elect. Socket With Piano Switch 5/15Amp With Wiring (2.5 Sq.mm FRLS)	Nos.	2.00
	<b>LAB-03</b>		
1	Granite worktop (17 to 19 mm)	Sqft.	142.00
2	Under Bench Modules of Standing Height(675mm) with1 Drawer & 2 Shutters- 750 mm(L)	Nos.	14.00
3	Under Bench Modules of Standing Height(675mm) with 2 Shutters Sink Unit - 750 mm(L)	Nos.	1.00
4	Under Bench Modules of Standing Height(675mm) with1 Shutter Corner Unit:- 900 mm(L) X 900 mm (D)	Nos.	1.00
5	C-Frame 900 mm (D) X 900 mm(H) Table - 840 mm(L) X 850 mm(H) (For Both Sides)	Nos.	12.00
6	Gap Closing Panel (Table 900 mm(W) x 900 mm(H))- 102 mm (W) X 728 mm(H)	Nos.	3.00
7	Gap Closing Panel (Table 900 mm(W) x 900 mm(H))- 68 mm(W) X 728 mm(H)	Nos.	3.00
8	Corner Piece Of Electrical Trunking.	Nos.	1.00
9	Elect Trunking Box Str. Single side With wiring (Wall Table)750 mm(L) X 120 mm(W) X 120 mm(H)	Nos.	2.00
10	Elect Trunking Box Str. Single side With wiring (Wall Table)1050 mm(L) X 120 mm(W) X 120 mm(H)	Nos.	2.00
11	Elect Trunking Box Str. Single side With wiring (Wall Table)1500 mm(L) X 120 mm(W) X 120 mm(H)	Nos.	6.00
12	Elect. Socket With Piano Switch 5/15Amp With Wiring (2.5 Sq.mm FRLS)	Nos.	26.00
13	Big PP Sink - 600L X 450W X 300D mm	Nos.	1.00
14	Acrylic Splash Gurad: 900mmL X 600mm H	Nos.	1.00
15	Peg Board Big Size: 750Mm L X 750Mm H ( 33 Pegs.) With Ss Collection Tray.	Nos.	1.00
16	3 Way Gooseneck Water Tap, Type Code 100/32 ( Indian )	Nos.	1.00
17	Standing height Furniture Fornt Closing Panel-450 mm(L)	Nos.	1.00

<b>LAB-06</b>			
1	Granite worktop (17 to 19 mm)	Sqft.	141.00
2	Under Bench Modules of Standing Height(675mm) with 1 Drawer & 2 Shutters- 600 mm(L)	Nos.	4.00
3	Under Bench Modules of Standing Height(675mm) with 1 Drawer & 2 Shutters- 750 mm(L)	Nos.	11.00
4	Under Bench Modules of Standing Height(675mm) with 2 Shutters Sink Unit - 750 mm(L)	Nos.	2.00
5	Under Bench Modules of Standing Height(675mm) with 1 Shutter Corner Unit:- 900 mm(L) X 900 mm (D)	Nos.	1.00
6	C-Frame 900 mm (D) X 900 mm(H) Table - 840 mm(L) X 850 mm(H) (For Both Sides)	Nos.	8.00
7	H-Frame 1500 mm (D) X 900 mm(H) I-Table - 1440 mm(L) X 850 mm(H) (For Both Sides)	Nos.	3.00
8	Gap Closing Panel (Table 1500 mm(W) x 900 mm(H))- 167 mm (W) X 728 mm(H)	Nos.	2.00
9	Elect Trunking Box Str. Single side With wiring (Wall Table)1200 mm(L) X 120 mm(W) X 120 mm(H)	Nos.	1.00
10	Elect Trunking Box Str. Single side With wiring (Wall Table)1500 mm(L) X 120 mm(W) X 120 mm(H)	Nos.	3.00
11	Reagent Rack Wall Table:2 Tier Struct, 2Adjustable Shelves - 600 mm(L) X 190 mm(W) X 750 mm(H)	Nos.	2.00
12	Reagent Rack Wall Table:2 Tier Struct, 2Adjustable Shelves - 1600 mm(L) X 190 mm(W) X 750 mm(H)	Nos.	1.00
13	Reagent Rack Island Table:2 Tier Struct, 2Adjustable Shelves - 900 mm(L) X 380 mm(W) X 750 mm(H)	Nos.	2.00
14	Elect. Socket With Piano Switch 5/15Amp With Wiring (2.5 Sq.mm FRLS)	Nos.	27.00
15	Big PP Sink - 600L X 450W X 300D mm	Nos.	2.00
16	3 Way Gooseneck Water Tap, Type Code 100/32 ( Indian )	Nos.	2.00
17	Peg Board Big Size: 750Mm L X 750Mm H ( 33 Pegs.) With Ss Collection Tray.	Nos.	2.00
<b>LAB-05</b>			
1	Granite worktop (17 to 19 mm)	Sqft.	155.00
2	Under Bench Modules of Standing Height(675mm) with1	Nos.	9.00

	Drawer & 2 Shutters- 600 mm(L)		
3	Under Bench Modules of Standing Height(675mm) with 1 Drawer & 2 Shutters- 750 mm(L)	Nos.	9.00
4	Under Bench Modules of Standing Height(675mm) with 2 Shutters Sink Unit - 750 mm(L)	Nos.	2.00
5	Under Bench Modules of Standing Height(675mm) with 1 Shutter Corner Unit:- 900 mm(L) X 900 mm (D)	Nos.	1.00
6	C-Frame 900 mm (D) X 900 mm(H) Table - 840 mm(L) X 850 mm(H) (For Both Sides)	Nos.	8.00
7	H-Frame 1500 mm (D) X 900 mm(H) I-Table - 1440 mm(L) X 850 mm(H) (For Both Sides)	Nos.	3.00
8	Gap Closing Panel (Table 1500 mm(W) x 900 mm(H))- 167 mm (W) X 728 mm(H)	Nos.	2.00
9	Elect Trunking Box Str. Single side With wiring (Wall Table)1200 mm(L) X 120 mm(W) X 120 mm(H)	Nos.	1.00
10	Elect Trunking Box Str. Single side With wiring (Wall Table)1500 mm(L) X 120 mm(W) X 120 mm(H)	Nos.	3.00
11	Reagent Rack Wall Table:2 Tier Struct, 2Adjustable Shelves - 1350 mm(L) X 190 mm(W) X 750 mm(H)	Nos.	1.00
12	Reagent Rack Wall Table:2 Tier Struct, 2Adjustable Shelves - 1600 mm(L) X 190 mm(W) X 750 mm(H)	Nos.	1.00
13	Reagent Rack Island Table:2 Tier Struct, 2Adjustable Shelves - 1050 mm(L) X 380 mm(W) X 750 mm(H)	Nos.	1.00
14	Reagent Rack Island Table:2 Tier Struct, 2Adjustable Shelves - 1200 mm(L) X 380 mm(W) X 750 mm(H)	Nos.	1.00
15	Elect. Socket With Piano Switch 5/15Amp With Wiring (2.5 Sq.mm FRLS)	Nos.	29.00
16	3 Way Gooseneck Water Tap, Type Code 100/32 ( Indian )	Nos.	2.00
17	Big PP Sink - 600L X 450W X 300D mm	Nos.	2.00
18	Acrylic Splash Guard: 900mmL X 600mm H	Nos.	4.00
19	Peg Board Big Size: 750Mm L X 750Mm H ( 33 Pegs.) With Ss Collection Tray.	Nos.	2.00
	<b>LAB-04</b>		
1	Granite worktop (17 to 19 mm)	Sqft.	167.00
2	Under Bench Modules of Standing Height(675mm) with 1	Nos.	1.00

	Drawer & 1 Shutter- 450 mm(L)LHS		
3	Under Bench Modules of Standing Height(675mm) with 1 Drawer & 1 Shutter- 450 mm(L)RHS	Nos.	1.00
4	Under Bench Modules of Standing Height(675mm) with 1 Drawer & 2 Shutters- 600 mm(L)	Nos.	7.00
5	Under Bench Modules of Standing Height(675mm) with 1 Drawer & 2 Shutters- 750 mm(L)	Nos.	10.00
6	Under Bench Modules of Standing Height(675mm) with 2 Shutters Sink Unit - 750 mm(L)	Nos.	2.00
7	Under Bench Modules of Standing Height(675mm) with 1 Shutter Corner Unit:- 900 mm(L) X 900 mm (D)	Nos.	1.00
8	C-Frame 750 mm (D) X 900 mm(H) Table - 690 mm(L) X 850 mm(H) (For Both Sides)	Nos.	1.00
9	C-Frame 900 mm (D) X 900 mm(H) Table - 840 mm(L) X 850 mm(H) (For Both Sides)	Nos.	9.00
10	H-Frame 1500 mm (D) X 900 mm(H) I-Table - 1440 mm(L) X 850 mm(H) (For Both Sides)	Nos.	3.00
11	Gap Closing Panel (Table 1500 mm(W) x 900 mm(H))- 167 mm (W) X 728 mm(H)	Nos.	1.00
12	Gap Closing Panel (Table 750 mm(W) x 900 mm(H))- 55 mm (W) X 728 mm(H)	Nos.	1.00
13	Elect Trunking Box Str. Single side With wiring (Wall Table)1050 mm(L) X 120 mm(W) X 120 mm(H)	Nos.	1.00
14	Elect Trunking Box Str. Single side With wiring (Wall Table)1350 mm(L) X 120 mm(W) X 120 mm(H)	Nos.	2.00
15	Elect Trunking Box Str. Single side With wiring (Wall Table)1500 mm(L) X 120 mm(W) X 120 mm(H)	Nos.	2.00
16	Reagent Rack Wall Table:2 Tier Struct, 2Adjustable Shelves - 600 mm(L) X 190 mm(W) X 750 mm(H)	Nos.	1.00
17	Reagent Rack Wall Table:2 Tier Struct, 2Adjustable Shelves - 900 mm(L) X 190 mm(W) X 750 mm(H)	Nos.	2.00
18	Reagent Rack Wall Table:2 Tier Struct, 2Adjustable Shelves - 1350 mm(L) X 190 mm(W) X 750 mm(H)	Nos.	1.00
19	Reagent Rack Island Table:2 Tier Struct, 2Adjustable Shelves - 1350 mm(L) X 380 mm(W) X 750 mm(H)	Nos.	1.00
20	Elect. Socket With Piano Switch 5/15Amp With Wiring (2.5 Sq.mm FRLS)	Nos.	29.00

21	3 Way Gooseneck Water Tap, Type Code 100/32 ( Indian )	Nos.	2.00
22	Big PP Sink - 600L X 450W X 300D mm	Nos.	2.00
23	Acrylic Splash Guard: 900mmL X 600mm H	Nos.	4.00
24	Peg Board Big Size: 750Mm L X 750Mm H ( 33 Pegs.) With Ss Collection Tray.	Nos.	2.00
25	Standing height Furniture Front Closing Panel-750 mm(L)	Nos.	1.00
26	Standing height Furniture Front Closing Panel-150 mm(L)	Nos.	2.00

**Note: Quantity of items can be changed in actual**

## TECHNICAL SPECIFICATIONS

---

### 1. LABORATORY FURNITURE

#### ➤ Scope of Work

- Supply and installation of Laboratory Workbenches/Storage units including granite worktops and other supporting structures/hardware's based on the specified Make List. This includes delivery to NIPER-Guwahati, unloading the consignment and transporting it from the place of storage to the installation site.
- Supply & Installation of all utility service outlets and accessory fittings, electrical receptacles, plumbing and electrical switches & fittings identified on drawings as mounted on the laboratory furniture.
- Supply & Installation of all laboratory sinks, bottle traps, drain troughs etc.
- Supply & Installation of service structures where specified and setting in place reagent shelves of the type shown in the drawings.
- Removal of debris, dirt and rubbish accumulated as a result of installation/commissioning of the laboratory furniture and accessories and leaving the premises broom clean and orderly.

#### ➤ Basis of Work

- It is the intent of this specification to use specified make list as the standard of construction for steel laboratory furniture. The construction standards of this product line shall provide the basis for quality and functional installation.
- NIPER-Guwahati reserves the right to reject qualified or alternate proposals and to award based on product value where such action assures the owner greater integrity of product.
- Participants in the quotation process have the option of clarifying deviations to the specified design, construction or materials. Without such clarifications, sealed quotations to NIPER-Guwahati will be construed as being in total conformance to the requirements of the specification.

#### ➤ Quality Assurance

- The steel laboratory furniture manufacturer shall provide work tops and casework all manufactured & shipped with proper packing & should take the full responsibility of the entire Scope of Works as specified in the tender.
- General Performance: Furniture shall meet the performance requirements should follow SEFA 8 guidelines.
- Spotter should qualify the quality control test.

#### ➤ **Submittals**

- Manufacture's Data : Submit installation instructions for each type of casework.
- Samples : Samples if called for will be reviewed for color, texture and pattern only.
- Shop Drawings – Submit shop drawings for furniture assemblies showing the required details.

#### ➤ **Products/Manufacturers**

- The selected manufacturer must warrant for a period of three years starting (date of acceptance or occupancy, whichever comes first that all products sold under the contract referenced above shall be free from defects in material and workmanship.
- NIPER-Guwahati will retain the above samples of the successful manufacturer or owner to insure that material delivered to jobsite conforms in every respect to the samples submitted if need be.

## 2. C-FRAME ASSEMBLY

- All C-Frames assemblies should be manufactured from standard hollow metal sections; confirming to I.S.Code 7138:1973 (Indian Standard Specification for steel tubes for furniture) and all sheet metal components should be of CRCA confirming to IS Code 513:1994.

#### ➤ **C-Frame System**

- The suspended under-bench welded units should be supported on heavy-duty steel frames fully carrying the load of worktops.
- Its superior strength combined with aesthetically appealing end caps should give maximum flexibility and modularity while making a layout.
- C-frame should be constructed from a rectangular pipe with a cross section of 60 mm x 30 mm and should be 2 mm thick and should be without a vertical front leg to give a clean look. This should provide more knee space or leg space and should facilitate uninterrupted lateral movement of the under-bench units within the bench run.
- The C-frame legs should be supplied with adjustable feet (tolerance from -5mm to +20mm) to correct the unevenness of flooring.
- The tubular enclosed type construction should discourage dust accumulation and unwanted development of bacteria & fungus.
- Drainage gradient should be well adjusted throughout the length of table and should have horizontal supports for drainage systems.
- The structure should have a removable back panel to provide access for maintenance throughout the length of table.
- The C-frame should also have skirting at back bottom side. The C-frame should be suitable for sitting and standing nominal heights of 750mm & 900 mm respectively.
- The nominal table depths should be 620 mm, 770 mm and 920 mm for wall side and 1540 mm, 1840mm for Island tables.
- The Corner Units should fit well with 770mm & 920 mm table depths. All frame-work is to be pre-treated with superior pure epoxy powder coated finish.

➤ **Under Bench Module for C-Frame**

Under Bench Module on 'C' Frame	Completely made of 1 mm(+/-0.1mm) GI sheets as per IS 277 standards. The shutter & drawer front should be of sandwich construction. Foam sheet filled in shutter gaps is not allowed. The sound suppressor plastic bumpers to be used to minimize banging noise while closing the shutter. The entire module should be made up of GI panels and are bolted for high corrosion resistance. Welding of modules is not acceptable. The shutters should be mounted to the modules by hinges which are openable to 95 degree & self-closing on return. Lockable roller bearing must be used so that the drawer will not fall. The telescopic drawer slides which should be very sturdy & able to take load of 35(+/-5) kg. All modules must have lock and dual key. The lock ring should be plastic.
---------------------------------	---

➤ **Uprights/ reagent rack**

- The Upright system will form the back-bone for internal distribution of GDS.
- Electrical supply systems Shelves and Top Units and should be constructed from 16 gauge CRCA formed steel panels with removable covers.
- Shelf height should be adjusted with an increment of 1 inch/25 mm.
- Upright should also provide support to Top Units for hanging thus eliminating the danger of fixing the Top Units on non-rigid partition wall / panels.
- Uprights should be supplied with adjustable feet from -5 mm to +20mm.

➤ **Horizontal Service Boom**

- Horizontal service boom should be made out of 18 gauge CRCA steel panels and should span the length between uprights and should be provided with removable service panels.
- Electrical and GDS supplies should be supplied through this horizontal service boom.
- Boom should be supplied with factory fitted combinations of switch & sockets with 15 amps standard grade.

➤ **Reagent Shelf**

- Height adjustable shelves should be provided between uprights which are independent from the floor with 1” of height adjustability.
- Complete modular design consisting of 2 stage horizontal storage shelves.
- The ends and intermediate vertical supports should be 2mm thick aluminium extrusion with MS brackets of 2 mm thick.
- Toughened glass should be put-on over these shelves for taking care of bottle marks/corrosion.

**3. WORKTOP**

**a. GRANITE**

- It should be 20 +/-2mm thick, jet black granite with edges having chamfer of 4 x 4 mm on top side. The overhang on the storage cabinet should be 25 mm at the front side and 30 mm at the sides.
- The backing material used for granite should be a neoprene mat of 6 mm thickness.

#### **4. WALL CABINETS**

- Flush face construction with intersection of vertical and horizontal members like LH and RH side panel along with horizontal channel, back panel and bottom panel.
- Cabinet should be of square-edge construction.
- Doors are assembled with SS-304 hinge assy.
- Shelf should be eight bend panel with 20 mm height.
- Steel door and drawer front should be of double wall construction with sound dampening material filled inside.
- Doors should be easily removable and hinges are easily replaceable.
- Shutters should have glass or made of metal alone depending as per BOQ

#### **5. SINK (PP SINK)**

- It should be makeup of 5 mm thick high density and elastic poly propylene with good resistance to organic solvents.
- PP Bottle-traps should be offered with PP Sinks
- Standard bowl size (L x W x D) should be 500 x 400 x 300 mm
- 1-way/2-way/3-way Faucet should be provided (Make : Broen/Watersaver)

#### **6. PEGBOARD (MOC : SS)**

- These should be Single faced high grade stainless steel pegboard having a tray hole for water drainage and detachable pegs.
- The essence should be made up of 1 mm thick stainless steel (SS 304) whereas the pegs should be made up of polypropylene and will be adjustable with a minimum 10mm distance between each peg.

#### **7. ELECTRICAL TRUNKING**

- Electrical trunking is made up of 0.8mm thick CRCA MS Sheet.
- The complete M.S. material of cabinet should be pre-treated (degreased, Zinc phosphate) and epoxy powder coated for netter corrosion resistance.
- The thickness of powder coat should be 45-50 microns, which passes the test of Salt Spray for 1000 hours.
- It should have high temperature withstanding capacity with excellent electrical insulation properties.
- The rear portion of above accessories which is in contact with live metal should be made from thermos set material which will not melt on heating.

#### **8. SWITCHES AND SOCKETS**

- These are made of High gloss virgin grade engineering thermoplastics to impart a defect free surface.
- They impart excellent electrical insulation properties i.e., do not melt on heating or catches fire.



- Owing to this all electrical switches and sockets are capable of handling higher currents and operating temperatures.
- Front plates can be changed at any time with ease without disturbing the wiring to quickly and economically match changes in the surroundings.

### **9. KEY-BOARD PULLOUT TRAY (Required for tables meant for keeping equipment's and these trays should be fixed wherever the leg space is available)**

- KBPT used should have a sliding mouse pad tray
- The mounting brackets ensure height adjustment.
- It also should have a smooth quite movement because of ball bearings and a load bearing capacity of 12 kg.

### **10. EYEWASH**

Deck mounted drench hose units should have a single/double outlet head with a rubber protective collar and should deliver an aerated flow of water. The valve should be forged brass self-closing type. Units should be furnished with a deck flange and an 8 ft. reinforced PVC hose.

### **11. VALVES AND FAUCETS**

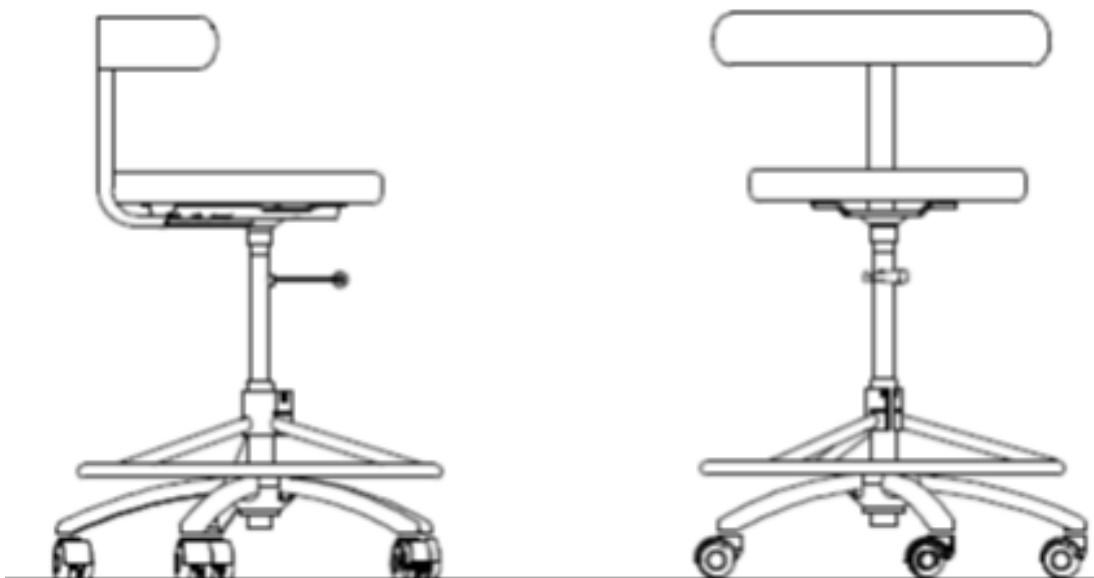
- All faucets and valves for water service shall have a renewable unit containing all working components subject to wear, including a stainless steel replaceable seat and an integral adjustable volume control (designated by the suffix "AC"). The renewable unit shall be interchangeable among all faucets and valves for water service. The renewable unit shall be broached for position locking in the valve body. The unit shall have a high durometer thermoplastic valve disc and a molded TFE stem packing. The unit shall be capable of being readily converted from compression to self-closing, and vice versa, without disturbing the faucet body.
- Goosenecks shall have a separate outlet coupling with a 3/8" IPS female thread securely brazed to the gooseneck for attachment of serrated hose ends, aspirators and other outlet fittings. Rigid goosenecks shall have a 3/8" IPS male inlet thread and be threaded directly into the faucet body so as to be absolutely rigid. Swing goosenecks shall utilize a TFE packing with an externally adjustable packing nut.
- Vacuum breakers, where required and indicated by the fixture number, shall be integral with the gooseneck. Vacuum breakers shall have a forged brass body, a renewable seat and an ultra light float cup with a silicone gasket for fine flow control. Vacuum breakers shall not spill over at low water volume. Vacuum breakers shall be certified by the American Society of Sanitary Engineers (ASSE) under Standard 1001.
- All fixtures for water service shall meet the requirements of ANSI/ASME A112.18.1M-1989 and be certified by the Canadian Standards Association (CSA) under Standard CAN/CSA B.125.M89.
- Water faucets and valves shall be fully assembled and individually tested at 80 pounds per square inch (PSI) water pressure.

### **12. MAKES OF ITEMS**

Steel	TATA Steel/Jindal
Powder Coating	Kansal Nerolac/Asian Paints
Water Faucets and Gas Valves	Broen/Watersave/Far

Switches and Sockets	Northwest/Legrand/Norisya/Havells
Locks	Godrej
Ball Slides	Godrej/Health
Keyboard Tray	Ebco
Hinges	Hettich/Darshana

**Lab Stool - Height adjustable revolving stool with back:**

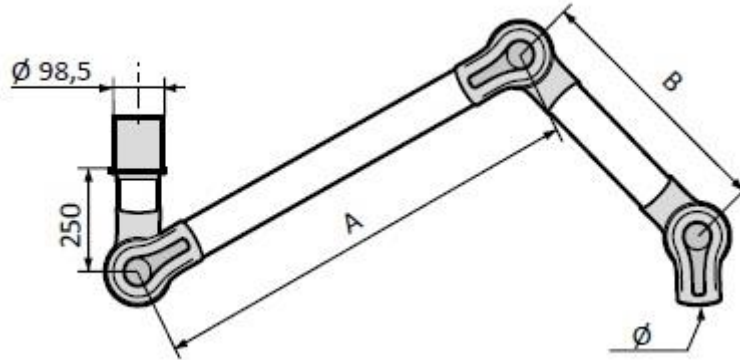


**13. SPOT EXTRACTOR**

Sr. No	Specification	Description
1	Extractor Arm (Reach-1230mm)	Elephant trunk having 75 mm dia Exhaust arm made up of 3nos flexible joints to allow necessary adjustment. Arm having reach of 1230 mm. One end connected to ceiling column and other end to PP Hood.
2	Extractor Dome (Dia-385mm)	Semi sphere dome (PP Hood) dia of 385 mm with necessary arrangement to attach it to extractor arm.
3	Ceiling column for holding trunk arms (1000mm long)	MS Powder coated ceiling column with necessary provision to connect to exhaust duct at one end and extractor arm at another.

**DUCTING:**

Chemical resistant PP + FRP (3mm + 3mm) rigid & flexible ductwork from Fume hood to exhaust stack point.



#### 14. LAB STOOL - HEIGHT ADJUSTABLE REVOLVING STOOL WITH BACK (MODEL DRAWING ENCLOSED)

- **SEAT ASSEMBLY:** The seat should be made up of 1.2 cm thick Commercial Grade plywood with moulded Polyurethane foam and are upholstered with replaceable fabric covers. The upholstery is available in Leather cloth and Fabric.
- **SEAT SIZE:** Diameter 40.0 cm
- **ADJUSTMENTS:** 360 Degree Revolving type
  - 2) **BACK ASSEMBLY:** The back foam is designed with contoured Lumbar
    - support for extra comfort. The upholstery is available in Leather cloth and Fabric.
    - **BACK SIZE:** 45.0 cm (W) covered with U foam.
  - 3) **POLYURETHANE FOAM:** The polyurethane foam is moulded with density = 45 +/-2 kg/m<sup>3</sup> and Hardness 20 +/- 2 on Hampden machine at 25% compression.
  - 4) **HEIGHT ADJUSTMENT:** The manual height adjustment is very easy to operate with a help of a knob. It can be easily locked at the most comfortable position.
  - 5) **PEDESTAL ASSEMBLY:** The five-prong pedestal is fabricated from 0.2cm. thick CR steel, powder coated and fitted with an injection moulded black Polypropylene Hub Cap and 5 nos. twin wheel castors.(Castor wheel diameter 5.0cm.) The pedestal is 55.0cm pitch-circle diameter (65.0 cm with castors). Circular foot ring of dia. 520 mm made from 19 mm dia. MS ERW Tube for foot support in High-base stool.
  - 6) **TWIN WHEEL CASTORS:** The twin wheel castors are injection moulded in Black Nylon.

#### 15. SPECIFICATIONS FOR SAFETY CABINETS

##### A) Solvent Storage:

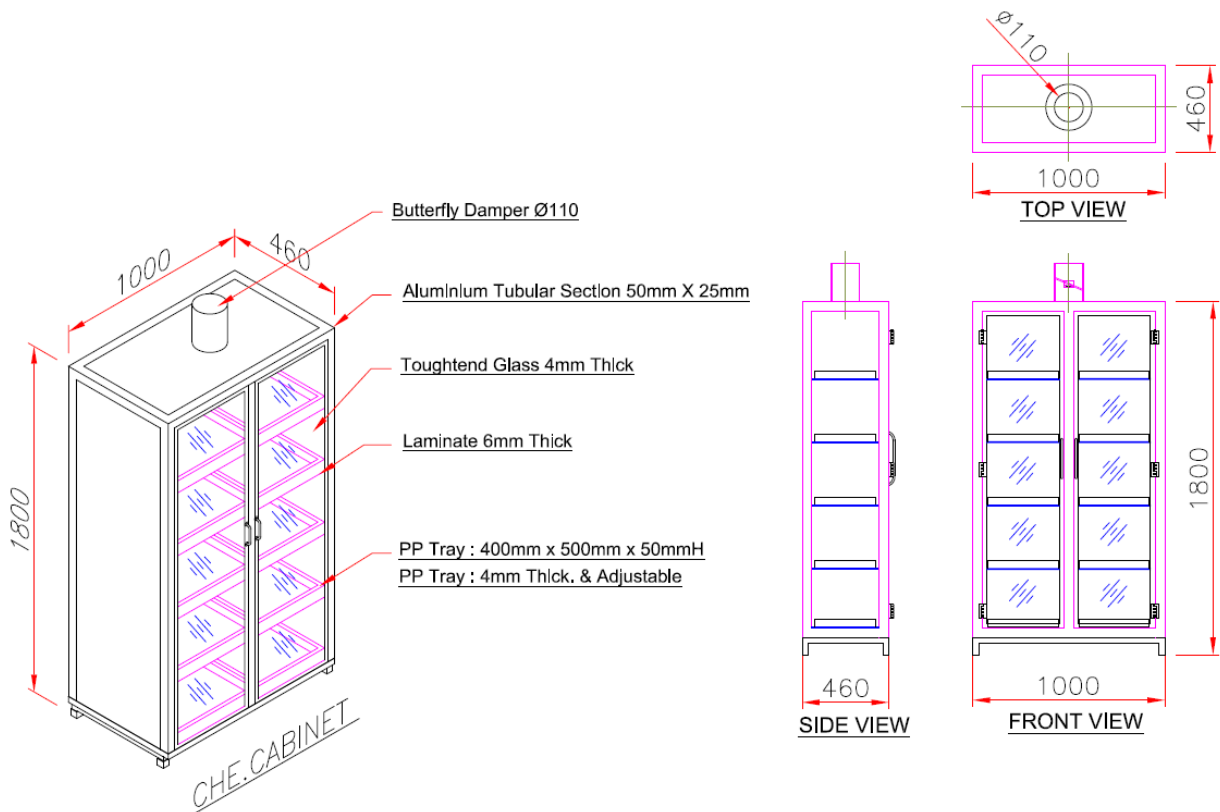
- Safety Cabinet are produced in accordance with NFPA 30 Chapter 9.5.3 and OSHA 29 CFR 1910.106 regulations
- Safety Cabinets of 12 gallons and greater are FM Global tested and approved
- 2" deep liquid tight containment sump covering the entire floor of the cabinet

- 18-gauge double walled steel construction, along with 1-1/2" air spaces between the walls, store flammable liquids and waste securely and safely
- Fully welded construction, increasing fire protection by reducing gapping
- Integrally welded, interlocking shelf hangers increase stability while reducing hardware
- Durable powder coat paint will resist solvents, acids and alkalis
- Two grounding attachment points at the rear of all cabinets for easy grounding
- Continuous full door height piano hinges
- FM & UL approved fusible-link hold open feature ensures the door closes should the temperature outside the cabinet exceed 165 degrees Fahrenheit
- Self-closing, self-latching synchronized doors ensure that the left door closes prior to the right door
- Polyethylene trays for galvanized steel shelves offer additional protection and have a slightly raised curved edge to contain the spills
- Polyethylene trays in the bottom sill area catch incidental spills and leaks
- Upper and lower diametrically opposed side vent with flame arrestor of proper venting when specified.
- Laboratory grade formulation meets SEFA 8 chemical requirement

**B) Acid Storage:**

- All models have the same quality features as flammable cabinets including: double-wall construction, dual vents, grounding wire connection, adjustable shelves, leak proof sills, three-point self-latching doors and leveling feet.
- To resist aggressive chemicals, acid cabinets also include polyethylene trays attached to galvanized steel shelves and a separate polyethylene liner for the bottom sump.
- The liner can be removed for easy cleaning of drips and leaks.
- The popular 30-gallon two door cabinet also includes an extra polyethylene top work tray which can be secured to cabinet-top for a handy work surface.
- An all-epoxy, baked-on powder coat finish, inside-and-out, provides increased chemical resistance.
- Paint is exclusively formulated to resist the acids, bases and solvents often used in laboratories.

**Chemical Storage Cabinet :** 'Floor Mounted Full Height Chemical Storage Cabinets (2 Glass Door, Phenolic Resin Laminate Liner, 4 Adjustable Shelves & 1 Fix, 15 PP trays.) 1000 mm (L) x 460 mm (D) x 1800 mm (H)



Chemical Storage Base Cabinet (Ventilated )

- Base cabinet should be ready to receive the fume hood at its top. It should have following features:
- Complete rigid steel structure to support Fume hood
- Epoxy powder coated
- Cabinet Integral work walls should be special chemical and heat resistant, smooth finish, easily cleanable panels should made of phenolic resin laminated sheets
- One removable horizontal partitions to store chemicals
- Double skin hinged doors
- Latching System for the Base Cabinet doors
- Polypropylene trays for chemical storage

## SPECIFICATIONS FOR FUME HOODS (4ft as per drawings)

Sr. No	Specification	Description
1	Model and usage	Fume hood for Regular usage
2	Design Basis	<p><b>American Design Standard: ASHRAE110- 2016</b> All tests including “Tracer gas containment test” passed.</p> <p><b>European Design Standard: EN-14175- 2003</b> ‘Inner Plane Containment test’ passed.</p>
3	Design Structure	Aerodynamic, Floor mounted
4	Airflow Type	<b>Low Constant Volume</b>
5	Colour Combination	As per client requirement
6	Powder coating	Pre-treated with 8 tank chemical processes and powder coated with highly chemical resistant epoxy Colors having dry film thickness of 70 to 80 microns. Passes all conformity performance tests as per IS standards.
7	Material of Construction of superstructure	Galvanized Iron (GI) as per IS 277: 2003 standard of <ul style="list-style-type: none"> <li>• 1.0 mm thickness for all sheet metal paneling</li> <li>• 1.2 mm for back pillars</li> <li>• 1.2 mm for front corner post</li> </ul>
8	Front Top Panel	Easily openable hinged Top Panel for easy access to Flow Control Valve and Electrical Lighting fixtures for maintenance.
9	Corner Post	Triangular profiled Corner Post is placed on Left and Right Hand Side of the Fume hood and it houses the utility line fittings and electrical receptacles.
10	Construction (Interior)	Chemical & Heat Resistant, Fire Retardant, Smooth Finish, Easily Cleanable Panels Made out of durable PRL integral work walls  (6 mm thick). ASTM flame spread index < 25.
11	Active Kinetics exhaust system	<u>Interstitial</u> 7-point active kinetics exhaust system (for light, normal & heavy fumes) with baffle to ensure rapid exhaust of fumes.

12	Airfoil	Aerodynamic Design, Horizontal fixed airfoil mounted on the worktop made of SS 304 (1.2mm) <b>Teflon Coated.</b>
13	Worktop	Chemical resistant splash & spillage proof dished ' <b><i>Jet Black Granite</i></b> ' worktop (18 ±1 mm thick). Skirting of 15 mm from all sides for no chemical spillage.
14	Sink, Water tap with drain arrangement	Worktop will have sink sealed with silicon sealant for drainage with water tap on left back side of worktop. Sink will have a trap for waste collection. <ul style="list-style-type: none"> <li>• Oval shaped 100 mm X 200 mm sink</li> </ul>
15	Sash (Shutter)	Vertical rising sash counter-balanced with pulley and counter-weight system. Toughened Float Glass sash (5 mm thick). Smooth and light sash operation. Clear openable height = 750 mm. Impact Resistance of the sash (Toughened Glass) is four times higher than other sash materials (like Safety Glass and Polycarbonate). Breaking Stress value for fully toughened glass (Tempered Glass) = 24,000 psi.
16	Wet & Dry Service valves	Remotely operated Colour coded <b>Brass Needle Valves</b> for fine control over utilities (as per DIN 12920 norms) <b>total 4 nos.</b> service valves with PU plumbing with 6 mm internal dia, withstands up to 5kgf pressure ( <b><u>All on LHS</u></b> ) <ul style="list-style-type: none"> <li>• 1 for Raw water (PU)</li> <li>• 1 for Nitrogen(PU)</li> <li>• 1 for Vaccum (Teflon)</li> <li>• 1 for Compressed Air (PU)</li> </ul>
17	Maintenance ports	<ul style="list-style-type: none"> <li>• Open-able top panel for easy maintenance of tube light and flow control valve</li> <li>• Service panel for maintenance of utility valves and tubing.</li> </ul>
18	Internal nozzles	Brass powder coated fittings are staggered in the fume hood to avoid the intermingling of the flexible tubes. Also the taps are tapered in shape to use with flexible tubing of sizes from ¼” to ½” in dia, to provide greater flexibility to the user.  Note: - Our Scope of supply for utility lines ends at 1/4 <sup>th</sup> BSP male adppter.
19	Lighting	Fluorescent light (40 watt, 2 Nos.) with vapour-proof fitting for proper illumination. Intensity approx 400 lux at worktop level.
20	Electrical Utilities	<b>3 nos.</b> electrical sockets 'North West/Norisys' make (230 V, 6/16 A, 50 Hz), <b>3 nos.</b> 'North West/Norisys' make MCBs with blower NO/NC switch with built –in starter & light switch on front fascia. Cables & wires ' <b><u>Fire Retardant Low Smoke</u></b> ' grade. ( <b><i>All on RHS</i></b> )
21	<b><i>Built-in Starter</i></b>	The electrical wiring will have built-in starter of “Telemechanique” make; suitable to blower motor capacity.

22	<i>Cable entering port</i>	For easy access of cables from fume hood to electrical sockets.
23	<b>Chemical Storage Base Cabinet (Ventilated &amp; on castors)</b>	<p>Base cabinet will be ready to receive the fume hood at its top. It will have following features:</p> <ol style="list-style-type: none"> <li>1) Completely made from 1mm thick GI sheet with Highly corrosion resistant epoxy powder coating,60-80 microns thickness.</li> <li>2) Cabinet integral work walls will be Special chemical &amp; heat resistant, smooth finish, easily cleanable panels made out of durable PRL sheets.</li> <li>3) Two exhaust ports connected to the fume hood exhaust system internally.</li> <li>4) One removable horizontal partition to store chemicals.</li> <li>5) PP Trays for chemical storage.</li> <li>6) Cabinets on castors.</li> <li>7) Roller catch of “HAFELE”– Germany” Make for the Base Cabinet doors.</li> <li>8) Polyamide Hinges from outside of Base Cabinet.</li> </ol> <p>Overall Dimensions: 1120mm (W) X 600mm (D) X 655mm (H) with Castors – 1no.</p>
24	Apparatus Holding Grid ( <i>Lattice Assembly</i> )	A grid made up of <b>Duralumin Powder coated rod</b> (Dia. 12.7 mm) to hold the apparatus. It will cover the entire length of the fume hood and will be built-in at fume hood backside. Installed at the distance of 150 mm from backside of fume hood.
25	Air Flow Monitor <b>AFA 1000/1 TEL U.K</b>	<p>Model AFA 1000/1’. This device is an accessory for Fume hood to indicate the approximate face velocity of airflow with primary purpose of warning when a low flow condition occurs. Red &amp; green LEDs correspond to low &amp; normal flow rates. When flow decreases from Normal to Low, an audible alarm will also actuate requiring manual acknowledgement for silence.</p> <ul style="list-style-type: none"> <li>• Digital display of face velocity in m/sec or fpm</li> <li>• On screen display for Safe and Alarm conditions with</li> <li>• Audible alarm and LED indication.</li> <li>• Push button calibration and configuration</li> <li>• Plug-in connections for power supply and airflow sensor</li> <li>• 3 programmable output relays</li> <li>• 3 configurable inputs</li> <li>• Com port for local or PC network connection</li> </ul>
26	Level adjusting screws	Made of SS Bolts to adjust the fume hood level by $\pm 10$ mm.
27	Exhaust Port	Unique exhaust port design ensures that the fumes will be exhausted smoothly without any turbulence at the exhaust port. Also it ensures low noise level.



28	Flow control valve	To regulate airflow.
29	Noise Level	< 70db at 1 meter from fume hood.
30	Temperature indicator ( <i>Should Quote as optional</i> )	‘PPI make model Zenex/Delta’. Size 48 x 48 x 110, mm (Panel cutout - 44 x 44 mm) Accuracy $\pm 0.25\%$ of reading $\pm 1$ LSD, $\pm 1^\circ\text{C}$ Supply Voltage 85 to 264 V AC, 50 / 60 Hz User Interface Display : 2 rows of 3 digit x 7 segment high intensity LED Upper Row : Process Value for PID 1 Lower Row : Process Value for PID 2 Key Board : 3 front panel keys for settings

### **CENTRIFUGAL BLOWER: (For air suction for 1no. Fume hood) - 1No**

Silent PP+FRP high efficiency remote blower consisting of continuous rating motor and chemical resistant impeller. It satisfies international safe velocity norms.

<b>Sr. No</b>	<b>Specification</b>	<i>Description</i>
1	Construction	SISW type, chemical & heat resistant PP + FRP blower with aerodynamically balanced PP impeller, with drain plug.
2	Air Suction Capacity	<b>600 CFM</b> confirming to international face velocity norms and as per safe fume hood airflow pattern.
3	Motor	<b>Any Reputed’</b> make, <b>1 HP Motor</b> 3 Phase TEFC, IP 55, Class F, continuous rating. As per IS 325.
4	Drive	Direct Drive

### **DUCTING:**

Chemical resistant PP + FRP (**3mm + 2mm**) rigid & flexible ductwork from Fume hood to exhaust stack point with weatherproof canopy. Total ducting with horizontal, vertical members, flanges, bends, bracketed supports and gooseneck exhaust stack.

### **TESTING:**

All fume hoods are “factory tested” as per **ASHRAE110:2016** face velocity norms. Vendor should have In House ASHRAE testing facility.

### **WARRANTY:**

36 months warranty against all manufacturing defects from the date of installation.

## Preferable Make List for various items

Sr.No.	DESCRIPTION	APPROVED MAKE
1	SWITCH SOCKETS	NORTHWEST / LEGRAND / MK / SIEMENS/ SCHNEIDER
2	DATA & VOICE SOCKET	NORTHWEST / LEGRAND / MK / SIEMENS/SCHNEIDER
3	EYEWASH / SHOWER	WATER SAVER / BROEN / TOF/ FAR/ B-SAFETY
4	SPOT EXTRACTOR	FUMEX / ALSIDENT
5	FLAMMABLE STORAGE TALL CABINET	JUSTRITE / EAGLE/ SECURALL/ASECOS / DUERPETHAL / KOETTERMANN/
6	UTILITY SERVICE FIXTURES	WATER SAVER/ BROEN/ FAR
7	SINKS / DRIP CUPS	ALLOYPLAS/ DURCON/ EPOXYN / METHOD
8	FURNITURE / FUME HOOD HARDWARE	HAFFELLE / HETTICH/ GRASS / MEPLA / ALLRED
9	CRCA STEEL Or G.I	TATA/ JINDAL/ BHUSHAN/ MUKAND
10	Electricals	Polycab, Havelles
11	Electrical Socket /Switches	Northwest/ Norysys/ Legrand/ MK

### Terms and Conditions:

- Quote should be made in two parts: Technical bid and financial bid separately in sealed envelopes.
- Technical Bid should contain compliance statement of specifications.
- Quotes should have a minimum validity of 90 days
- Financial bids for the product whose technical bid is not acceptable will not be opened. Any quote with the financial bid included in the technical bid will be summarily rejected.
- The sealed envelopes with the quotes should be super scribed with the Inquiry number and whether it is a technical or financial bid.
- Item wise picture of all the items should be included with the technical quotation.
- The delivery period should be specifically stated.
- Quotes should be made FOR delivery to NIPER-Guwahati.
- Maximum educational discounts should be provided.
- Vender should have prior experience for the installation of such kind of furniture at Central Government Educational and R & D organisations in the NE India.

- Venders should clearly mention about the material and (make Indigenous/Imported).
- Actual numbers of the components may be increased or decrease, payment will be made on the basic of actual numbers.
- Standard comprehensive warranty and support should be three years.
- Installation: the price should be inclusive of full installation on site with full functionality demonstration.
- Delivery time: 2-3 weeks from the date of purchase order.
- Installation within 15 days.
- All envelopes should be marked with enquiry number.

**Addition of the above terms and conditions venders should fulfil following conditions also:**

- a) Bidder shall have a minimum 05 (Five) years of experience in supplying and installing of **SIMILAR TYPE OF JOB AS PER ANNEXURE - I** in a government organization (at State/National/ International level) as on tender submission deadline. Name, address/contact details of the present and past satisfactory clients to be provided as per the format attached with the tender document.
- b) Experience of having successfully supplied and installed of of **SIMILAR TYPE OF JOB AS** at any IIT/NIT/Universities/IIM/IISER or any Institute of National Importance in India during the last 5 (Five) years as on tender submission deadline, as per the following details:
  - a. Two similar completed works each of value not less than 60% of the estimated cost;  
**OR**
  - b. One similar completed work of each of value not less than 100% of the estimated cost;
- c) The bidder must have a minimum annual average turnover of Rs. 20 crores during the last three financial years. All bidders should submit copies of audited Statement of Accounts for those three years along with the Tender document.
- d) Bidder should have valid ISO-9001-2015, ISO-14001-2015, OHSAS 18001-2007 certification / certified company and should also have SEFA Membership for minimum 5 consecutive years and ASHRAE membership certificate for Fume Hoods.
- e) Should follow Environmental Management Systems like ISO-14001:2004 consistent with the bidders Environmental Policy, Compliance to quality management systems like ISO-9001:2008 function effective by adopting a process approach. Should have adopted Quality, Environment, health and safety Policy to meet the changing expectations of the customers.
- f) The bidder should have its own in-house testing facility complying to SEFA-8M, SEFA 10, EN-14175 and ASHRAE-110 standards for the LAB furniture. Quality management systems as per International Standards. The bidder shall furnish all such certificates as and when required. The bidder should be an official member with SEFA prior to its notification and should have SATARA certificate for Storage product.

- g) The bidder/OEM should have its own manufacturing/fabrication machinery and infrastructure facilities, which should preferably have automated cutting machines, bending machines, power presses, spot welding machines, anti-rust treatment facilities, powder coating facilities etc. in sufficient numbers.
- h) The bidder should have in house ASHRAE 110 and EN 14175 fume hood test facility. Photographs/proofs of this test facility must be attached to the technical bid.
- i) **Quality Tests to be Conducted:** Laboratory furniture & Fume hood quoted against this tender shall qualify all the necessary standard tests as per the standard guidelines in the in house facility also.
- j) The Bidder should be Original Equipment of Manufacturer of Fume Hood and Laboratory Furniture and valid OEM Certificate or factory license for Manufacturing, Assembling and Supply of Laboratory Furniture.
- k) **Bidder Should have In-House ASHREA Testing facility for fume hoods (Proofs must enclose) and at least one certified person (as employee of respective company) should be recognised by ASHREA for testing purpose (Proof must enclose).**
- l) Bidder should have valid ISO-9001-2015, ISO-14001-2015, OHSAS 18001-2007 certification / certified company and should also have SEFA Membership for minimum 7 consecutive years and ASHRAE membership certificate for Fume Hoods. **Site**
- m) **Preparation:** The supplier shall inform NIPER about the site preparation along with technical bid or within 2 weeks of receiving the supply order, if any, needed for the installation, must provide complete details regarding space and all infrastructural requirements needed for the items, which NIPER will arrange before the arrival of items to ensure its early installation and smooth operation thereafter. The supplier may offer his advice and render assistance to NIPER in the preparation of the site and other pre installation requirement. The scope of the work for Supplier shall be limited to supply & installation of the laboratory furniture & fume hood along with ducting of the fume hood. All other civil works / demolition works / Scrubber water inlet & outlet/ Scaffolding / Hydra arrangement if any required shall be undertaken by NIPER only.
- n) **Civil Suit Jurisdiction:** All legal proceedings in connection with this Supply/Purchase order/Contract shall be subject to the territorial jurisdiction of the local Civil Courts, as per Indian Laws, at Assam only.
- o) **Cancellation:** NIPER reserves the right to cancel the Supply/purchase order as a whole or in part at any time or in the event of default on the part of the Supplier prior to the receipt of information regarding taking in hand of the manufacture of material against the Supply/Purchase order/dispatch of material to the consignee.

### **Experience and Technical Capacity:**

The Bidder shall furnish documentary evidence to demonstrate that it meets the following experience requirement(s):

- a. Equipment / System offered must be of the most recent series/models incorporating the latest improvements in design. The models should be in successful operation for at least one year as on date of Bid Opening.
- b. The bidder (OEM/Direct Distributor/Dealer) should have supplied and installed during past 3 years, at least two similar equipments / systems as mentioned in Chapter-4. The Bidder should furnish the information on all past supplies and satisfactory performance during past 3 years in the Performance Statement Form (Chapter-8, Annexure D). Bidders shall invariably furnish documentary evidence (Client's certificate) in support of the satisfactory operation of the equipment /system.

- c. Details of Service Centres and information on service support facilities that would be provided after the warranty period (in the Service Support Form- Chapter-8Annexure-F).
- d. That adequate and specialized expertise is already available or will be made available following the execution of the contract in the Purchaser's country, to ensure that the support services are responsive and adequate as per ITB1.13.2(c).

# **CHAPTER 5**

## **Price Schedule Forms**

### **Table of Contents**

<b><u>Sl. No.</u></b>	<b><u>Type of Price Schedule Form</u></b>
5.1	Price schedule for Goods being Offered from abroad
5.2	Price schedule for Goods offered from India

**Note: The bidder may fill in the appropriate Price Schedule Form and enclose with the bidding documents as per Clause 1.10 and 1.18.3 of the bidding documents. i.e. to be enclosed with the technical bid)**



**Note:**

Currency \_\_\_\_\_

Total Bid price in foreign currency \_\_\_\_\_

in words

(a) Indian agents name & address \_\_\_\_\_

(b) Installation, commissioning & training charges,  
if any \_\_\_\_\_

Signature of Bidder \_\_\_\_\_

Name \_\_\_\_\_

(c) Cost of Spares, if any \_\_\_\_\_

Business Address \_\_\_\_\_

(d) The Indian agent's commission shall be paid in Indian Rupees  
only based on the Exchange Rate prevailing on the date of  
negotiation of documents in accordance with clause 22.1 of GCC.

(e) The cost of optional items shall be indicated separately.



**PRICE SCHEDULE FOR GOODS BEING OFFERED FROM INDIA**

Name of the Bidder \_\_\_\_\_

Tender No. \_\_\_\_\_

1	2	3	4	5	6	7	8	9	10	11
Sl. No.	Item Description	Country of origin	Unit	Quantity	Ex-Works, Ex-warehouse, Ex-show room off the shelf price  (inclusive of all taxes already paid)	Total price  Ex-Works, Ex-warehouse, Ex-show room off the shelf price  (inclusive of all taxes already paid)  5x6	VAT & other taxes like excise duty payable, if contract is awarded	Packing & forwarding up to station of dispatch,  If any	Charges for inland transportation, insurance up to Lab. / Instd.	Installation, commissioning and training charges, if any

Total Bid price in foreign currency \_\_\_\_\_

in words.

Signature of Bidder \_\_\_\_\_

Name \_\_\_\_\_

Business Address \_\_\_\_\_

**Note :**

- (a) The cost of optional items shall be indicated separately.
- (b) Cost of Spares, if any \_\_\_\_\_

## **CHAPTER 6**

### **Qualification Requirements**

The bidder shall furnish documentary evidence to demonstrate that the bidder satisfies the following bidders' eligibility criteria.

- (a) The Bidder should be a manufacturer/authorized representative of a manufacturer who must have designed, manufactured, tested and supplied the equipment(s) similar to the type specified in the "Technical Specification". The MAF must be enclosed with the technical bid. Such equipments must be of the most recent series/models incorporating the latest improvements in design. The models should be in successful operation for at least one year as on date of Bid Opening.
- (b) The Indian Agents of foreign manufacturers/ suppliers quoting directly on behalf of their principals for items appearing in the restricted list of the current EXIM policy of the Govt. of India (c) Either the Indian Agent on behalf of the foreign principal or the foreign principal directly could bid in a tender but not both. However, the offer of the Indian Agent should also accompany the authorization letter from their principal. Further, to maintain sanctity of tendering system one Indian agent cannot represent two different foreign principals in one tender.
- (d) The Bidder should furnish the information on all past supplies and satisfactory performance in the proforma (Performance Statement Form).
- (e) Bidders shall invariably furnish documentary evidence (client's certificate) in support of the satisfactory operation of the equipment.
- (f) Details of Service Centres and information on service support facilities that would be provided after the warranty period (in the Service Support Form).
- (g) That adequate and specialized expertise is already available or will be made available following the execution of the contract in the Purchaser's country, to ensure that the support services are responsive and adequate as per ITB 13.2(c).

# **CHAPTER 7**

## **Contract Form**

Contract No. \_\_\_\_\_ Date: \_\_\_\_\_

THIS CONTRACT AGREEMENT is made

the [ *insert: number* ] day of [ *insert: month* ], [ *insert: year* ].

BETWEEN

(1) The National Institute of Pharmaceutical Education and Research working under the department of Pharmaceuticals, Ministry of Chemicals and Fertilizers of the Government of India having its office at New Delhi, India represented by \_\_\_\_\_ [ *insert complete name and address of Purchaser* ] (hereinafter called “the Purchaser”), and

(2) [ *insert name of Supplier* ], a corporation incorporated under the laws of [ *insert: country of Supplier* ] and having its principal place of business at [ *insert: address of Supplier* ] (hereinafter called “the Supplier”).

WHEREAS the Purchaser invited bids for certain Goods and ancillary services, viz., [ *insert brief description of Goods and Services* ] and has accepted a Bid by the

Supplier for the supply of those Goods and Services in the sum of [ *insert Contract Price in words and figures, expressed in the Contract currency(ies)* ] (hereinafter called “the Contract Price”).

NOW THIS AGREEMENT WITNESSETH AS FOLLOWS:

01. In this Agreement words and expressions shall have the same meanings as are respectively assigned to them in the Conditions of Contract referred to.
02. The following documents shall constitute the Contract between the Purchaser and the Supplier, and each shall be read and construed as an integral part of the Contract:
  - (a) This Contract Agreement
  - (b) Special Conditions of Contract
  - (c) General Conditions of Contract
  - (d) Technical Requirements (including Schedule of Requirements and Technical Specifications)

(e) The Supplier's Bid and original Price Schedules

(f) The Purchaser's Notification of Award

(g) *[Add here any other document(s)]*

03. This Contract shall prevail over all other Contract documents. In the event of any discrepancy or inconsistency within the Contract documents, then the documents shall prevail in the order listed above.

04. In consideration of the payments to be made by the Purchaser to the Supplier as hereinafter mentioned, the Supplier hereby covenants with the Purchaser to provide the Goods and Services and to remedy defects therein in conformity in all respects with the provisions of the Contract.

05. The Purchaser hereby covenants to pay the Supplier in consideration of the provision of the Goods and Services and the remedying of defects therein, the Contract Price or such other sum as may become payable under the provisions of the Contract at the times and in the manner prescribed by the Contract.

IN WITNESS whereof the parties hereto have caused this Agreement to be executed in accordance with the laws of Union of India on the day, month and year indicated above.

For and on behalf of NIPER Guwahati

Signed: *[insert signature]*

in the capacity of *[ insert title or other appropriate designation ]*

in the presence of *[ insert identification of official witness ]*

Signed: *[ insert signature ]*

in the capacity of *[ insert title or other appropriate designation ]*

in the presence of *[ insert identification of official witness ]*

For and on behalf of the Supplier

Signed: *[ insert signature of authorized representative(s) of the Supplier ]*

in the capacity of *[ insert title or other appropriate designation ]*

in the presence of *[ insert identification of official witness ]*

# **CHAPTER 8**

## **Other Standard Forms**

(To be enclosed as indicated below)

### **Table of Contents**

<b><u>Sl. No.</u></b>	<b><u>Name</u></b>
01.	Bidder Information Form (to be enclosed with the technical bid)
02.	Manufacturers' Authorization Form (to be enclosed with the technical bid)
03.	Bid Security Form (to be enclosed with the technical bid)
04.	Performance Statement Form (to be enclosed with the technical bid)
05.	Deviation Statement Form (to be enclosed with the technical bid)
06.	Service Support Detail Form (to be enclosed with the technical bid)
07.	Bid Form (to be enclosed with the priced bid)
08.	Performance Security Form (to be enclosed with the technical bid)
09.	Acceptance Certificate Form (to be enclosed with the technical bid)
10.	Integrity Pact (to be enclosed with the technical bid)

**Note : Please refer clause 1.9.1 of the bidding documents for other documents to be attached with the bids/offers.**

**documents to**

## Bidder Information Form

(a) *[The Bidder shall fill in this Form in accordance with the instructions indicated below. No alterations to its format shall be permitted and no substitutions shall be accepted. This should be done of the letter head of the firm]*

Date: *[insert date (as day, month and year) of Bid Submission]*

Tender No.: *[insert number from Invitation for bids]*

Page 1 of \_\_\_\_\_ pages

01.	Bidder's Legal Name <i>[insert Bidder's legal name]</i>
02.	In case of JV, legal name of each party: <i>[insert legal name of each party in JV]</i>
03.	Bidder's actual or intended Country of Registration: <i>[insert actual or intended Country of Registration]</i>
04.	Bidder's Year of Registration: <i>[insert Bidder's year of registration]</i>
05.	Bidder's Legal Address in Country of Registration: <i>[insert Bidder's legal address in country of registration]</i>
06.	Bidder's Authorized Representative Information  Name: <i>[insert Authorized Representative's name]</i>

	<p>Address: <i>[insert Authorized Representative's Address]</i></p> <p>Telephone/Fax numbers: <i>[insert Authorized Representative's telephone/fax numbers]</i></p> <p>Email Address: <i>[insert Authorized Representative's email address]</i></p>
07.	<p>Attached are copies of original documents of: <i>[check the box(es) of the attached original documents]</i></p> <p>Articles of Incorporation or Registration of firm named in 1, above.</p>

Signature of Bidder \_\_\_\_\_

Name \_\_\_\_\_

Business Address \_\_\_\_\_



## MANUFACTURERS' AUTHORIZATION FORM

*[The Bidder shall require the Manufacturer to fill in this Form in accordance with the instructions indicated. This letter of authorization should be on the letterhead of the Manufacturer and should be signed by a person with the proper authority to sign documents that are binding on the Manufacturer.]*

Date: *[insert date (as day, month and year) of Bid Submission]*

Tender No.: *[insert number from Invitation For Bids]*

To: *[insert complete name and address of Purchaser]*

### WHEREAS

We *[insert complete name of Manufacturer]*, who are official manufacturers of *[insert type of goods manufactured]*, having factories at *[insert full address of Manufacturer's factories]*, do hereby authorize *[insert complete name of Bidder]* to submit a bid the purpose of which is to provide the following Goods, manufactured by us *[insert name and or brief description of the Goods]*, and to subsequently negotiate and sign the Contract.

We hereby extend our full guarantee and warranty in accordance with Clause 21 of the General Conditions of Contract, with respect to the Goods offered by the above firm.

Signed: *[insert signature(s) of authorized representative(s) of the Manufacturer]*

Name: *[insert complete name(s) of authorized representative(s) of the Manufacturer]*

Title: *[insert title]*

Duly authorized to sign this Authorization on behalf of: *[insert complete name of Bidder]*

Dated on \_\_\_\_\_ day of \_\_\_\_\_, \_\_\_\_\_ *[insert date of signing]*

**BID SECURITY FORM**

Whereas \_\_\_\_\_

(hereinafter called the tenderer”)

has submitted their offer dated \_\_\_\_\_

for the supply of \_\_\_\_\_

(hereinafter called the tender”)

Against the purchaser’s tender enquiry No. \_\_\_\_\_

KNOW ALL MEN by these presents that WE \_\_\_\_\_

of \_\_\_\_\_ having our registered office at

\_\_\_\_\_ are bound unto \_\_\_\_\_ (hereinafter called the “Purchaser”)

In the sum of \_\_\_\_\_

For which payment will and truly to be made to the said Purchaser, the Bank binds itself, its successors and assigns by these presents. Sealed with the Common Seal of the said Bank this \_\_\_\_\_ day of \_\_\_\_\_ 20\_\_\_\_\_.

THE CONDITIONS OF THIS OBLIGATION ARE:

- (1) If the tenderer withdraws or amends or modifies or impairs or derogates from the Tender in any respect within the period of validity of this tender.
- (2) If the tenderer having been notified of the acceptance of his tender by the Purchaser during the period of its validity:-
- (3) If the tenderer fails to furnish the Performance Security for the due Performance of the contract.
- (4) Fails or refuses to accept/execute the contract.

WE undertake to pay the Purchaser up to the above amount upon receipt of its first written demand, without the Purchaser having to substantiate its demand, provided that in its demand the Purchaser will note that the amount claimed by it is due to it owing to the occurrence of one or both the two conditions, specifying the occurred condition or conditions.

This guarantee will remain in force up to and including 45 days after the period of tender validity and any demand in respect thereof should reach the Bank not later than the above date.

---

(Signature of the authorized officer of the Bank)

Name and designation of the officer

Seal, name & address of the Bank and address of the Branch

**Note: Whenever the bidder chooses to submit the Bid Security in the form of Bank Guarantee, then he should advise the banker issuing the Bank Guarantee to immediately send by Registered Post (A.D.) an unstamped duplicate copy of the Guarantee directly to the Purchaser with a covering letter to compare with the original BG for the correctness, genuineness, etc.**

## PERFORMANCE STATEMENT FORM

(For a period of last 3 years)

Name of the Firm.....

Order Placed by (full address of Purchaser)	Order No. and date	Description and quantity of ordered equipment	Value of order	Date of completion of deliver as per contract	Date of actual completion of delivery	Remarks indicating reasons for late delivery, if any	Has the equipment been installed satisfactory? (Attach a certificate from the purchaser/Consignee)	Contact person along with Telephone No., FAX No. and e-mail address

Signature and Seal of the manufacturer/Bidder .....

Place :

Date :

### **DEVIATION STATEMENT FORM**

The following are the particulars of deviations from the requirements of the tender specifications:

Sl. No.	Name of Specifications / Parts / Accessories of Tender Enquiry	Specifications of Quote Model / Part / Accessory	Compliance Whether Yes or No	Deviation, if any to be indicated in unambiguous terms (The compliance / Deviation should be supported by relevant Technical Literature)	Technical Justification for the Deviation, if any. If specification is superior / inferior than asked for in the enquiry, it should be clearly brought out in the justification
	<u>Technical deviations</u>				
	<u>Commercial deviations</u>				

#### **Signature of Bidder**

- ✓ If the bidder offers more than one model, then the Compliance Statement must be enclosed for each and every model separately.
- ✓ The technical and commercial deviations should be indicated separately.
- ✓ If the bidder fails to enclose the compliance statement, his bid is likely to be rejected.

Place:

Date:

Signature and seal of the

Manufacturer/Bidder

#### **NOTE:**

1) Where there is no deviation, the statement should be returned duly signed with an endorsement indicating "No Deviations".

**SERVICE SUPPORT DETAIL FORM**

Sl. No.	Nature of training Imparted	List of similar type of equipments serviced in the past 3 years	Address, Telephone Nos. , Fax Nos and e-mail address

Signature and Seal of the manufacturer/Bidder.....

Place :

Date :

## **Bid Form**

a) *[The Bidder shall fill in this Form in accordance with the instructions indicated No alterations to its format shall be permitted and no substitutions shall be accepted.]*

Date: *[insert date (as day, month and year) of Bid Submission]*

Tender No.: *[insert number from Invitation for Bids]*

Invitation for Bid No.: *[insert No of IFB]*

To: *[insert complete name of Purchaser]*

We, the undersigned, declare that:

(a) We have examined and have no reservations to the Bidding Documents, including Addenda No.: *[insert the number and issuing date of each Addenda];*

(b) We offer to supply in conformity with the Bidding Documents and in accordance with the Delivery Schedules specified in the Schedule of Requirements the following Goods and Related Services *[insert a brief description of the Goods and Related Services];*

(c) The total price of our Bid, excluding any discounts offered in item (d) below, is: *[insert the total bid price in words and figures, indicating the various amounts and the respective currencies];*

(d) The discounts offered and the methodology for their application are:

**Discounts.** If our bid is accepted, the following discounts shall apply. *[Specify in detail each discount offered and the specific item of the Schedule of Requirements to which it applies.]*

- (e) Our bid shall be valid for the period of time specified in ITB Sub-Clause 20.1, from the date fixed for the bid submission deadline in accordance with ITB Sub-Clause 24.1, and it shall remain binding upon us and may be accepted at any time before the expiration of that period;
- (f) If our bid is accepted, we commit to obtain a performance security in accordance with ITB Clause 41 and GCC Clause 13 for the due performance of the Contract;
- (g) The following commissions, gratuities, or fees have been paid or are to be paid with respect to the bidding process or execution of the Contract: *[insert complete name of each Recipient, its full address, the reason for which each commission or gratuity was paid and the amount and currency of each such commission or gratuity]*

Name of Recipient	Address	Reason	Amount
_____	_____		
_____	_____		
_____	_____		

(If none has been paid or is to be paid, indicate “none.”)

- (k) We understand that this bid, together with your written acceptance thereof included in your notification of award, shall constitute a binding contract between us, until a formal contract is prepared and executed.



- (1) We understand that you are not bound to accept the lowest evaluated bid or any other bid that you may receive.

Signed: *[insert signature of person whose name and capacity are shown]*

In the capacity of *[insert legal capacity of person signing the Bid Submission Form]*

Name: *[insert complete name of person signing the Bid Submission Form]*

Duly authorized to sign the bid for and on behalf of: *[insert complete name of Bidder]*

Dated on \_\_\_\_\_ day of \_\_\_\_\_, \_\_\_\_\_ *[insert date of signing]*

**PERFORMANCE SECURITY FORM**

**MODEL BANK GUARANTEE FORMAT FOR PERFORMANCE SECURITY**

To,

.....

WHEREAS .....

(name and address of the supplier) (hereinafter called “the supplier”) has undertaken, in pursuance of contract no. .... dated .....to supply (description of goods and services) (herein after called “the contract”).

AND WHEREAS it has been stipulated by you in the said contract that the supplier shall furnish you with a bank guarantee by a scheduled commercial bank recognized by you for the sum specified therein as security for compliance with its obligations in accordance with the contract;

AND WHEREAS we have agreed to give the supplier such a bank guarantee;

NOW THEREFORE we hereby affirm that we are guarantors and responsible to you, on behalf of the supplier, up to a total of ..... (amount of the guarantee in words and figures), and we undertake to pay you, upon your first written demand declaring the supplier to be in default under the contract and without cavil or argument, any sum or sums within the limits of (amount of guarantee) as aforesaid, without your needing to prove or to show grounds or reasons for your demand or the sum specified therein.

We hereby waive the necessity of your demanding the said debt from the supplier before presenting us with the demand.

We further agree that no change or addition to or other modification of the terms of the contract to be performed there under or of any of the contract documents which may be made between you and the supplier shall in any way release us from any liability under this guarantee and we hereby waive notice of any such change, addition or modification.

This guarantee shall be valid until the ..... day of ....., 20.....

(Signature of the authorized officer of the Bank)

.....

Name and designation of the officer

.....

Seal, name & address of the Bank and address of the Branch

**Note: Whenever, the bidder chooses to submit the Performance Security in the form of Bank Guarantee, then he should advise the banker issuing the Bank Guarantee to immediately send by Registered Post (A.D.) an unstamped duplicate copy of the Guarantee directly to the Purchaser with a covering letter to compare with the original BG for the correctness, genuineness, etc.**

**ACCEPTANCE CERTIFICATE FORM**

No.

Dated

M/s. \_\_\_\_\_  
\_\_\_\_\_  
\_\_\_\_\_

Sub: Certificate of commissioning of equipment

-----

01. This is to certify that the equipment as detailed below has/have been received in good condition along with all the standard and special accessories (subject to remarks in Para 2). The same has been installed and commissioned.

(a) Contract No. \_\_\_\_\_ Date \_\_\_\_\_

(b) Description of the equipment \_\_\_\_\_

(c) Name of the consignee \_\_\_\_\_

(d) Scheduled date of delivery of the consignment to the Lab./Instts. \_\_\_\_\_

(e) Actual date of receipt of consignment by the Lab./Instts. \_\_\_\_\_

(f) Scheduled date for completion of installation/commissioning \_\_\_\_\_

- (g) Training Starting Date \_\_\_\_\_
- (h) Training Completion Date \_\_\_\_\_
- (i) Names of People Trained \_\_\_\_\_
- (j) Actual date of completion of installation/commissioning \_\_\_\_\_
- (k) Penalty for late delivery (at Lab./Instts. level)Rs. \_\_\_\_\_
- (l) Penalty for late installation (at Lab./Instts. level Rs. \_\_\_\_\_

Details of accessories/items not yet supplied and recoveries to be made on that account:

<u>Sl. No.</u>	<u>Description</u>	<u>Amount to be recovered</u>
----------------	--------------------	-------------------------------

02. The acceptance test has been done to our entire satisfaction. The supplier has fulfilled his contractual obligations satisfactorily

or

The supplier has failed to fulfil his contractual obligations with regard to the following:

(a) .....

(b) .....

(c) .....

(d) .....

The amount of recovery on account of failure of the supplier to meet his contractual obligations is as indicated at Sr. No. 3.

For Supplier

For Purchaser

Signature .....

Signature.....

Name .....

Name.....

Designation .....

Designation.....

Name of the firm.....

Name of the .....

Lab./Instt.

Date .....

Date.....

**Format of the Integrity Pact**

**INTEGRITY PACT**

Between

National Institute of Pharmaceutical Education and Research (NIPER) Guwahati hereinafter referred to as “The Principal”.

And

.....herein referred to as “The Bidder/ Contractor.”

**Preamble**

The Principal intends to award, under laid down organizational procedures, contract/s for .....The Principal values full compliance with all relevant laws of the land, rules, regulations, economic use of resources and of fairness/ transparency in its relations with its Bidder(s) and/or Contractor(s).

In order to achieve these goals, the Principal will appoint an Independent External Monitor (IEM), who will monitor the tender process and the execution of the contract for compliance with the principles mentioned above.

**Section 1 – Commitments of the Principal**

- (1) The Principal commits itself to take all measures necessary to prevent corruption and to observe the following principles:
  - (a) No employee of the Principal, personally or through family members, will in connection with the tender for, or the execution of a contract, demand, take a promise for or accept, for self or third person, any material or immaterial benefit which the person is not legally entitled to.
  - (b) The Principal will, during the tender process treat all Bidder(s) with equity and reason. The Principal will in particular, before and during the tender process, provide to all Bidder(s) the same information and will not provide to any Bidder(s) confidential/additional information through which the Bidder(s) could obtain an advantage in relation to the tender process or the contract execution.
  - (c) The Principal will exclude from the process all known prejudiced persons.

- (2) If the Principal obtains information on the conduct of any of its employees which is a criminal offence under the IPC/PC Act, or if there be a substantive suspicion in this regard, the Principal will inform the Chief Vigilance Officer and in addition can initiate disciplinary action.

## **Section 2 – Commitments of the Bidder(s)/Contractor(s)**

- (1) The Bidder(s)/Contractor(s) commit himself to take all measures necessary to prevent corruption. He commits himself to observe the following principles during his participation in the tender process and during the contract execution.
- (a) The Bidder(s)/Contractor(s) will not, directly or through any other Person or firm, offer, promise or give to any of the Principal's employees involved in the tender process or the execution of the contract or to any third person any material or other benefit which he/she is not legally entitled to, in order to obtain in exchange any advantage of any kind whatsoever during the tender process or during the execution of the contract.
  - (b) The Bidder(s)/Contractor(s) will not enter with other Bidders into any undisclosed agreement or understanding, whether formal or informal. This applies in particular to prices, specifications, Certifications, subsidiary contracts, submission or non-submission of bids or any other actions to restrict competitiveness or to introduce cartelization in the bidding process.
  - (c) The Bidder(s)/Contractor(s) will not commit any offence under the relevant IPC/PC Act; further the Bidder(s)/Contractor(s) will not use improperly, for purposes of competition or personal gain, or pass on to others, any information or document provided by the Principal as part of the business relationship, regarding plans, technical proposals and business details, including information contained or transmitted electronically.
  - (d) The Bidder(s)/Contractor(s) of foreign origin shall disclose the name and address of the Agents/representatives in India, if any. Similarly the Bidder(s)/Contractor(s) of Indian Nationality shall furnish the name and address of the foreign principals, if any. Further details as mentioned in the "Guidelines on Indian Agents of Foreign Suppliers" shall be disclosed by the Bidder(s)/Contractor(s). Further, as mentioned in the Guidelines all the payments made to the Indian agent/representative have to be in Indian Rupees only. Copy of the "Guidelines on Indian Agents of Foreign Suppliers" is annexed and marked as Annexure.
  - (e) The Bidder(s)/Contractor(s) will, when presenting his bid, disclose any and all payments he has made, is committed to or intends to make to agents, brokers or any other intermediaries in connection with the award of the contract.
- (2) The Bidder(s)/Contractor(s) will not instigate third persons to commit offences outlined above or be an accessory to such offences.

## **Section 3 – Disqualification from tender process and exclusion from future Contracts**



If the Bidder(s)/Contractor(s), before award or during execution has committed a transgression through a violation of Section 2, above or in any other form such as to put his reliability or credibility in question, the Principal is entitled to disqualify the Bidder(s)/Contractor(s) from the tender process or take action as per the procedure mentioned in the “Guidelines on Banning of business dealings”. Copy of the “Guidelines on Banning of business dealings” is annexed and marked as Annex -“B”.

#### **Section 4 – Compensation for Damages**

- (1) If the Principal has disqualified the Bidder(s) from the tender process prior to the award according to Section 3, the Principal is entitled to demand and recover the damages equivalent to Earnest Money Deposit/ Bid Security.
- (2) If the Principal has terminated the contract according to Section 3, or if the Principal is entitled to terminate the contract according to Section 3, the Principal shall be entitled to demand and recover from the Contractor liquidated damages of the contract value or the amount equivalent to Performance Bank Guarantee.

#### **Section 5 – Previous transgression**

- (1) The Bidder declares that no previous transgressions occurred in the last 3 Years with any other Company in any country conforming to the anti-corruption approach or with any other Public Sector Enterprise in India that could justify his exclusion from the tender process.
- (2) If the Bidder makes incorrect statement on this subject, he can be disqualified from the tender process or action can be taken as per the procedure mentioned in “Guidelines on Banning of business dealings.”

#### **Section 6 – Equal treatment of all Bidders / Contractors/ Sub-contractors**

- (1) The Bidder(s)/Contractor(s) undertake(s) to demand from all Subcontractors a commitment in conformity with this Integrity Pact, and to submit it to the Principal before contract signing.
- (2) The Principal will enter into agreements with identical conditions as this one with all Bidders, Contractors and Subcontractors.
- (3) The Principal will disqualify from the tender process all bidders who do not sign this Pact or violate its provisions.

#### **Section 7 – Criminal charges against violating Bidders / Contractors/ Subcontractors**

- (1) The Principal appoints competent and credible Independent External Monitor for this Pact. The task of the Monitor is to review independently and objectively, whether and to what extent the parties comply with the obligations under this agreement.
- (2) The Monitor is not subject to instructions by the representatives of the parties and performs his functions neutrally and independently. He reports to the Director, NIPER Guwahati.
- (3) The Bidder(s)/Contractor(s) accepts that the Monitor has the right to access without restriction to all Project documentation of the Principal including that provided by the Contractor. The

Contractor will also grant the Monitor, upon his request and demonstration of a valid interest, unrestricted and unconditional access to his project documentation. The same is applicable to Subcontractors. The Monitor is under contractual obligation to treat the information and documents of the Bidder(s) / Contractor(s) / Subcontractor(s) with confidentiality.

- (4) The Principal will provide to the Monitor sufficient information about all meetings among the parties related to the Project provided such meetings could have an impact on the contractual relations between the Principal and the Contractor. The parties offer to the Monitor the option to participate in such meetings.
- (5) As soon as the Monitor notice, or believes to notice, a violation of this agreement, he will so inform the Management of the Principal and request the Management to discontinue or take corrective action, or to take other relevant action. The monitor can in this regard submit non-binding recommendations. Beyond this, the Monitor has no right to demand from the parties that they act in a specific manner, refrain from action or tolerate action.
- (6) The Monitor will submit a written report to the Director, NIPER Guwahati within 8 to 10 weeks from the date of reference or intimation to him by the Principal and should the occasion arise, submit proposals for correcting problematic situations.
- (7) Monitor shall be entitled to compensation on the same terms as being extended to/provided to Director, NIPER Guwahati.
- (8) The word 'Monitor' would include both singular and plural.

### **Section 9 – Pact Duration**

This Pact begins when both parties have legally signed it. It expires for the Contractor 10 months after the last payment under the contract, and for all other Bidders 6 months after the contract has been awarded.

If any claim is made/lodged during this time, the same shall be binding and continue to be valid despite the lapse of this pact as specified above, unless it is discharged/determined by Director, NIPER Guwahati.

### **Section 10 – Other provisions**

- (1) This agreement is subject to Indian Law. Place of performance and Jurisdiction is the Registered Office of the Principal, i.e. New Delhi
- (2) Changes and supplements as well as termination notices need to be made in writing. Side agreements have not been made.
- (3) If the Contractor is a partnership or a consortium, this agreement must be signed by all partners or consortium members.

(4) Should one or several provisions of this agreement turn out to be invalid, the remainder of this agreement remains valid. In this case, the parties will strive to come to an agreement to their original intentions.

\_\_\_\_\_

\_\_\_\_\_

(For & On behalf of the Principal)

(For & On behalf of Bidder/Contractor)

(Office Seal) (Office Seal)

Place.....

..

Date.....

Witness 1:

(Name & Address): \_\_\_\_\_

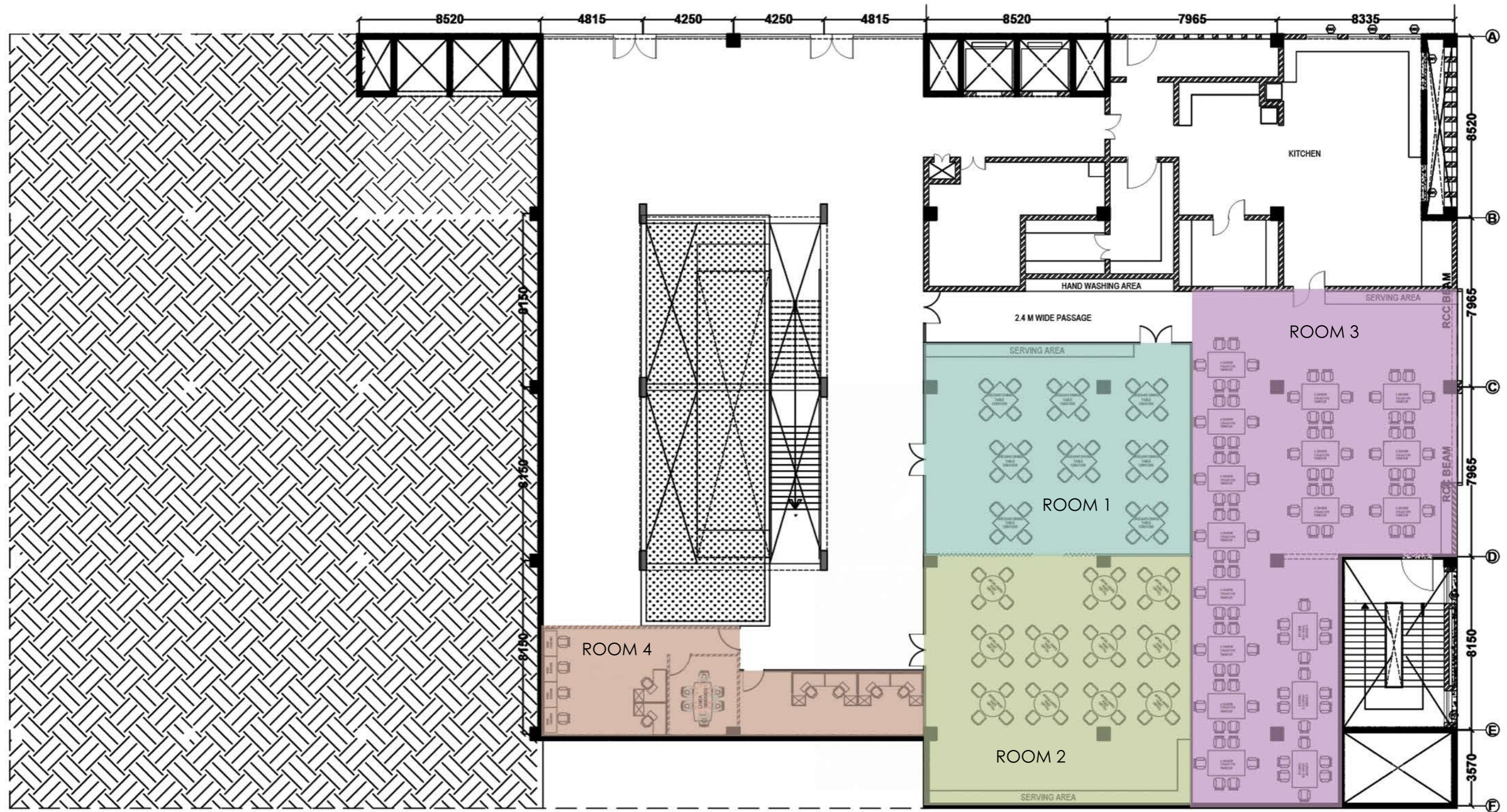
\_\_\_\_\_

\_\_\_\_\_

Witness 2:

(Name & Address): \_\_\_\_\_





## LEGENDS :

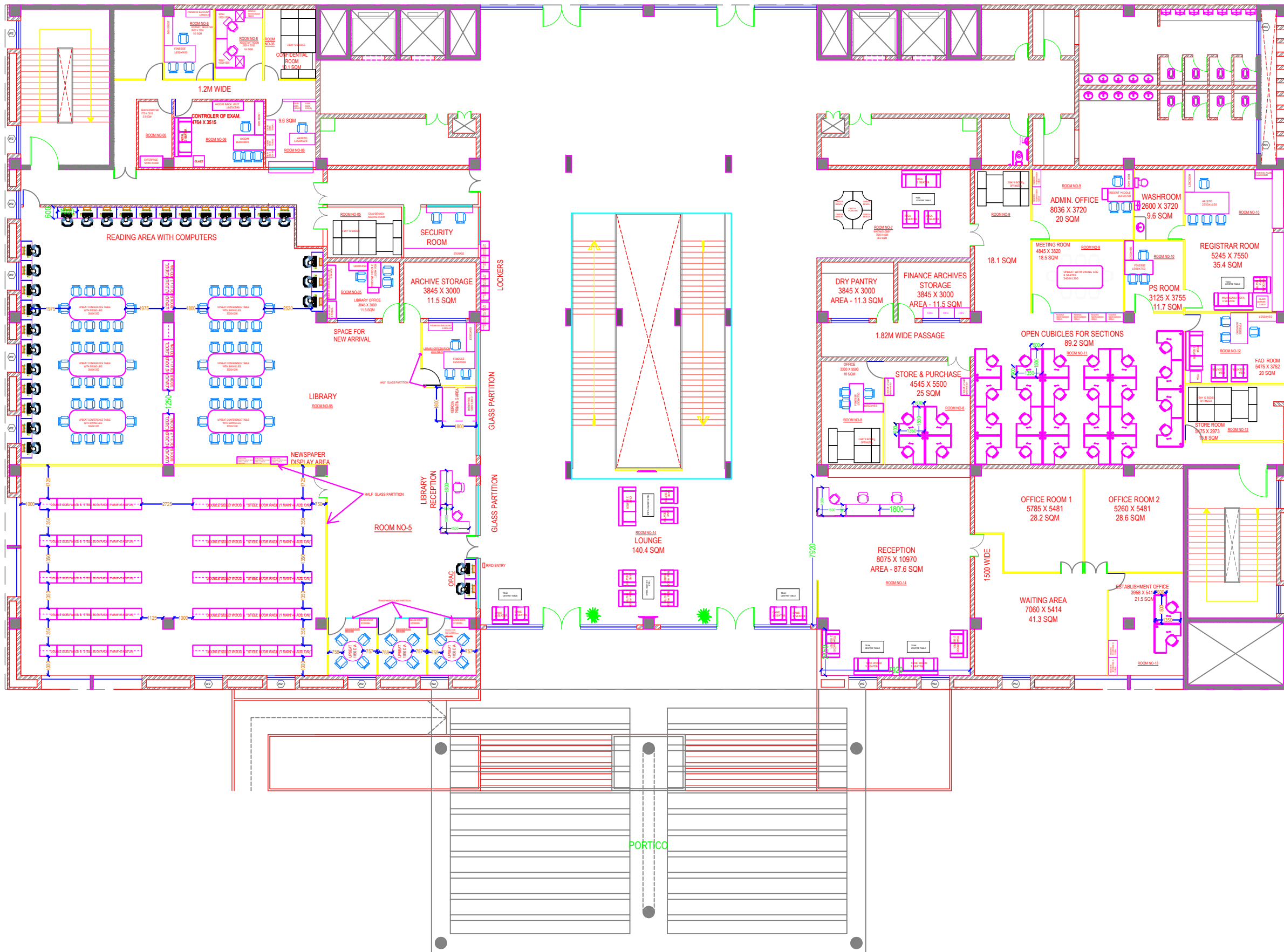
ROOM 1 - 122.6 SQM

ROOM 2 - 143.6 SQM

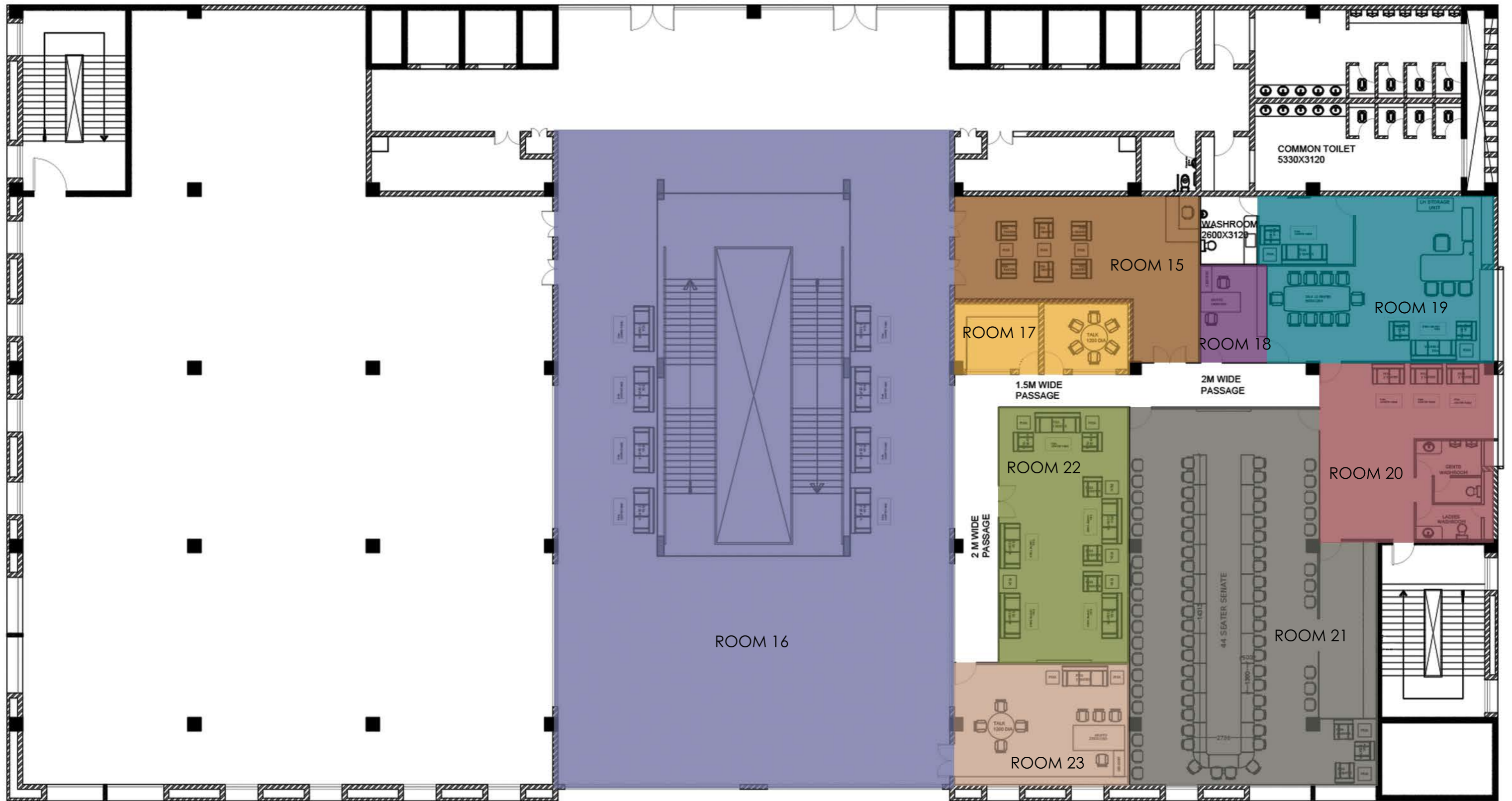
ROOM 3 - 231.7 SQM

ROOM 4 - 71.9 SQM





DESCRIPTION/BY	DATE
<b>PROJECT:</b>	
H-BLOCK, NIPER INSTITUTE, GUWAHATI FIRST FLOOR, DIMENSION LAYOUT	
SCALE	DATE

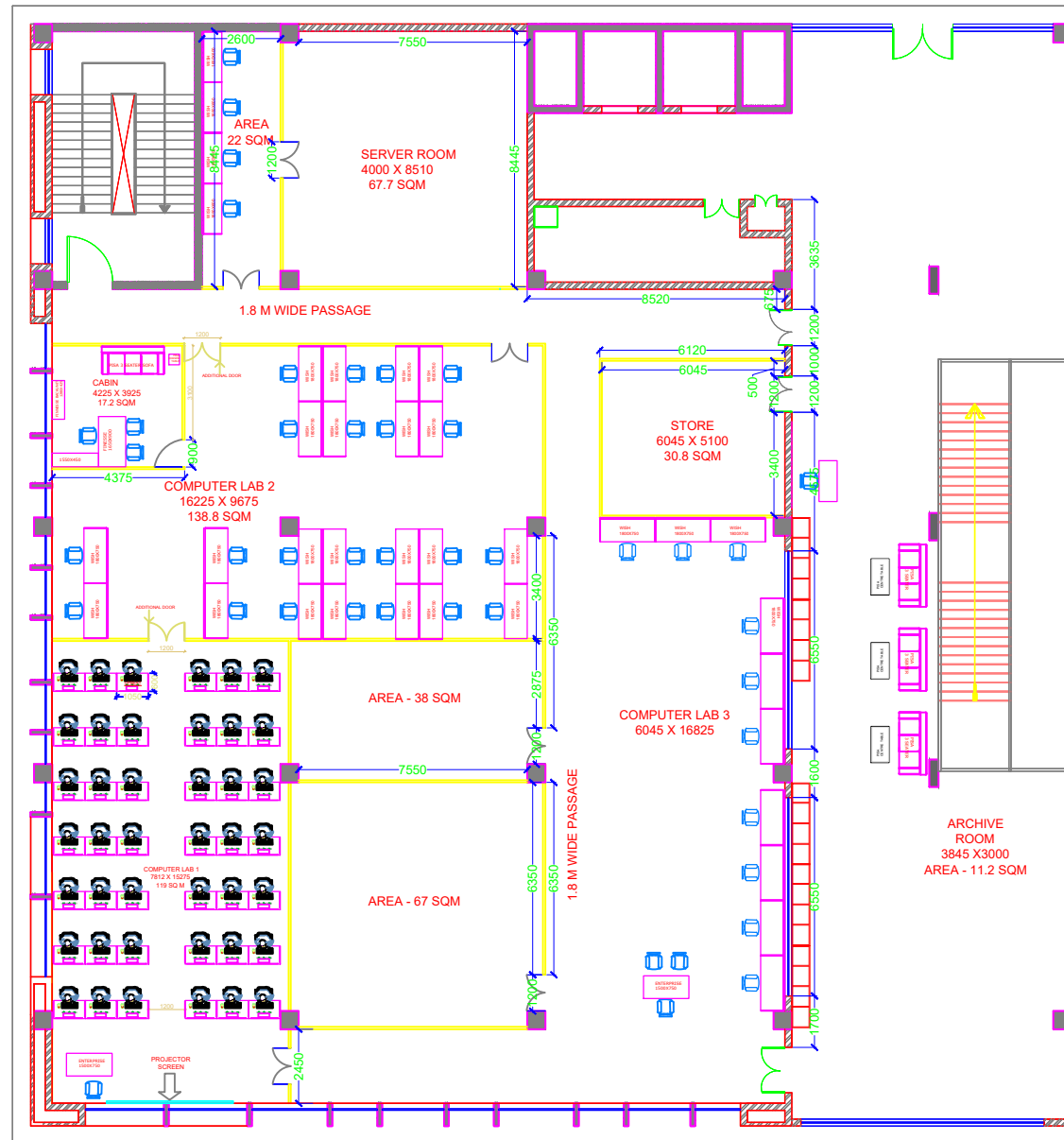


## LEGENDS :

- ROOM 15 - 61 SQM
- ROOM 16 - 534 SQM
- ROOM 17 - 23.6 SQM

- ROOM 18 - 13.4 SQM
- ROOM 19 - 80 SQM
- ROOM 20 - 64.6 SQM

- ROOM 21 - 176.4 SQM
- ROOM 22 - 68.8 SQM
- ROOM 23 - 534.4 SQM



DESCRIPTION/BY	DATE

PROJECT:  
H-BLOCK, NIPER  
INSTITUTE, GUWAHATI  
THIRD FLOOR,  
DIMENSION LAYOUT

SCALE	DATE
N.T.S	
SIGNED BY	DATE